

# ECOMAX

## LIGHTING

### LED Vanity Linear Light - VL01 Series



**Application:** perfect for bathroom spaces and can also be used as good replacement of other ceiling or surface mount light



#### Description

This Energy Saving LED vanity linear light fixture is maintenance free using integrated LED modules. It has a sleek, modern and contemporary design that allows you to have a stylish look with efficient lighting. Durable metal construction is built for long product life and opal acrylic shade creates a beautiful glow when illuminated. Design is ideal for above the bath vanity.

#### Feature

- Damp Location rated
- 5-year limited warranty
- Comes in 3 sizes: 18", 24" and 36"
- CCT Selectable by dip switch: 3000K, 4000K and 5000K
- Has smooth dimming capabilities ranging from 10% to 100%
- Quick and easy Installation. Can be installed both vertically and horizontally

#### Specifications

Model	HYA-VL01-18IN20W-CCT-NK	HYA-VL01-24IN25W-CCT-NK	HYA-VL01-36IN30W-CCT-NK
Power	20W	25W	30W
Size	18"	24"	36"
Lumens	1400LM	1750LM	2100LM
Max input current	0.19A	0.28A	0.27A
Input Voltage	120 V		
Housing	Brushed Nickel+Opal Acrylic		
Dimming	Triac Dimming (10%-100%)		
Protecting Rating	IP20 ( For indoor use ONLY)		
Power Factor	0.9+		
Beam Angle	120°		
CCT	3000K/4000K/5000K		
CRI	80+		
Surge protection DM/CM	1.25 kV / 1.25 kV		
Working Life	Lumen Maintenance over 70% @50,000+ hours		
Oper. Temperature	-4°F to 104°F (-20°C to 40°C)		
Qty/Package	4	4	4
Package Dim	20.47 in x 16.34 in x 12.6 in	27.17 in x 16.34 in x 12.6 in	38.79 in x 16.34 in x 12.6 in
Package Weight	22.97LB	24.18 LB	32.17 LB

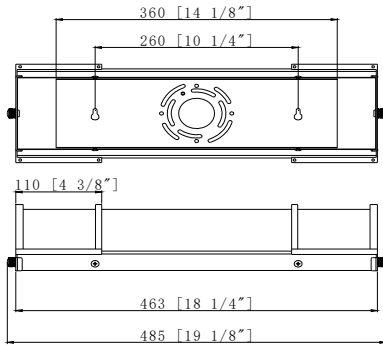
Project Name: \_\_\_\_\_

Date: \_\_\_\_\_ Note: \_\_\_\_\_

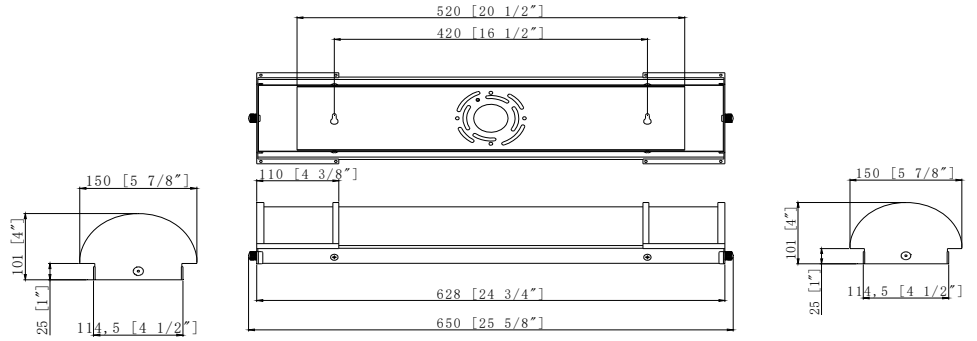
## LED Ultra Slim Downlight - USDL Series

### DIMENSION

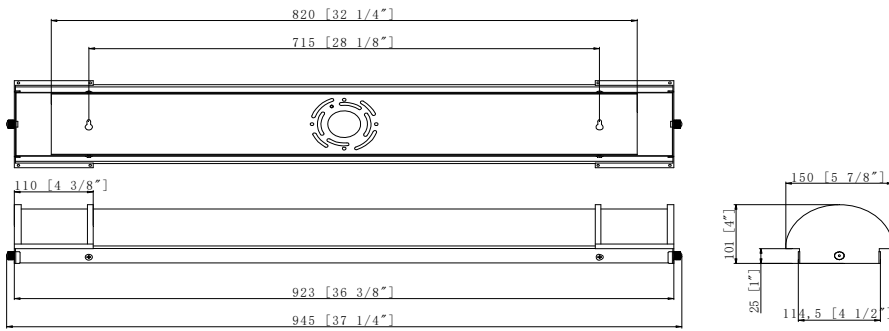
18"



24"



36"



### Installation Guide

