







LED FAN CORN LIGHT

Features

- * Adjustable wattages: 60%/ 80%/ 100%
- * Adjustable CCT: 4500K/ 5000K/ 5700K
- * 40% more LEDs compared to general corn bulbs available in the market
- * Suitable for replacing 100~600W metal halide/HPS
- * Transparent PBT Cover, Aluminum fin heat sink
- * Equipped with 2 fans for active cooling
- * Available in 30~150W power range
- * Supports 100~277V voltage input
- * Provides a 360-degree beam angle
- * 6K High voltage surge test passed
- * Offers a lifespan of 50,000 hours
- * E26/ E27/ E39/ E40 Mogul screw base
- * SMD2835, 150lm/w LED chips
- * Emits no UV or IR radiation
- * No magnetic disturbance driver
- * 5 years warranty



CCT Adjustable		Power Adjustable								
	4500K		30W	45W	60W	75W	80W	100W	120W	150W
	5000K		18W	27W	36W	45W	48W	60W	72W	90W
	5700K		24W	36W	48W	60W	64W	80W	96W	120W
			30W	45W	60W	75W	80W	100W	120W	150W



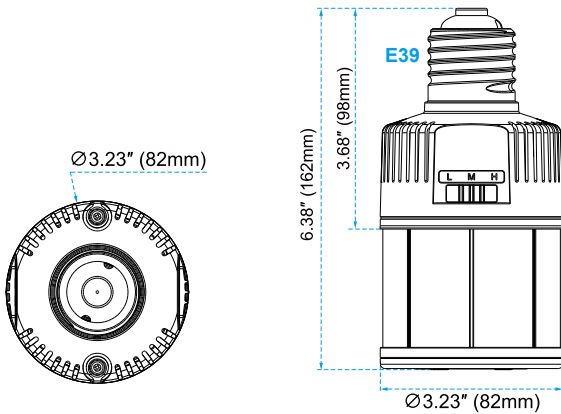
DIMENSIONS

Series	Lumens	Base	Electrical Data	LED Type	Color Temperature	Color Rendering Index
NG-FCL-30W	4500 Lm	E26	Input Voltage 100-277VAC 50/60Hz Power Factor(>)>90	280 PCS SMD 2835 Chips	4500K 5000K 5700K	Ra>80
NG-FCL-45W	6750 Lm	E27				
NG-FCL-60W	9000 Lm	E39				
NG-FCL-75W	11250 Lm	E40				
NG-FCL-80W	12000 Lm	E39 E40		504 PCS SMD 2835 Chips		
NG-FCL-100W	15000 Lm					
NG-FCL-120W	18000 Lm					
NG-FCL-150W	22500 Lm			728 PCS SMD 2835 Chips		

DIMENSIONS

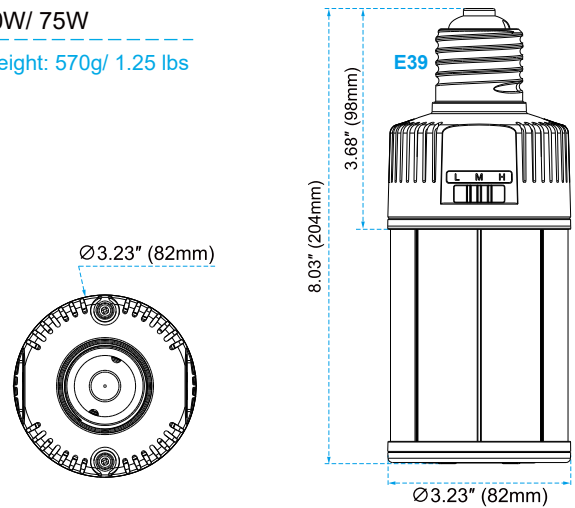
30W/ 45W

Weight: 450g/ 0.99 lbs



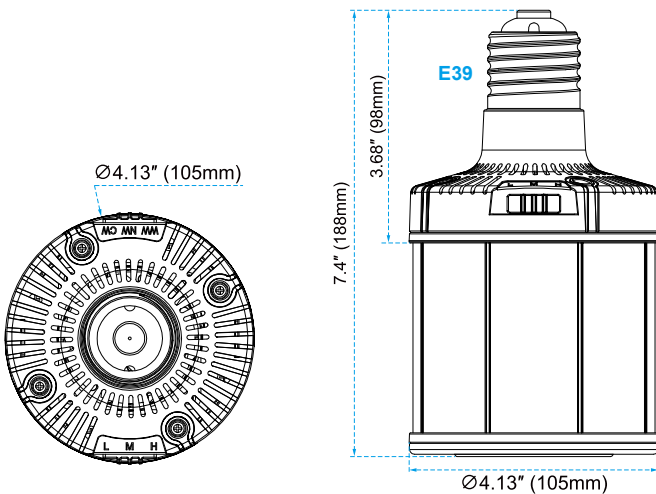
60W/ 75W

Weight: 570g/ 1.25 lbs



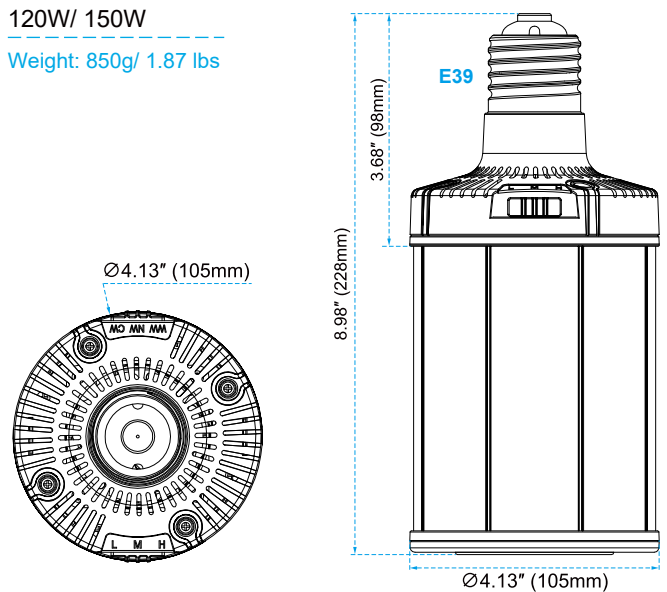
80W/ 100W

Weight: 560g/ 1.23 lbs

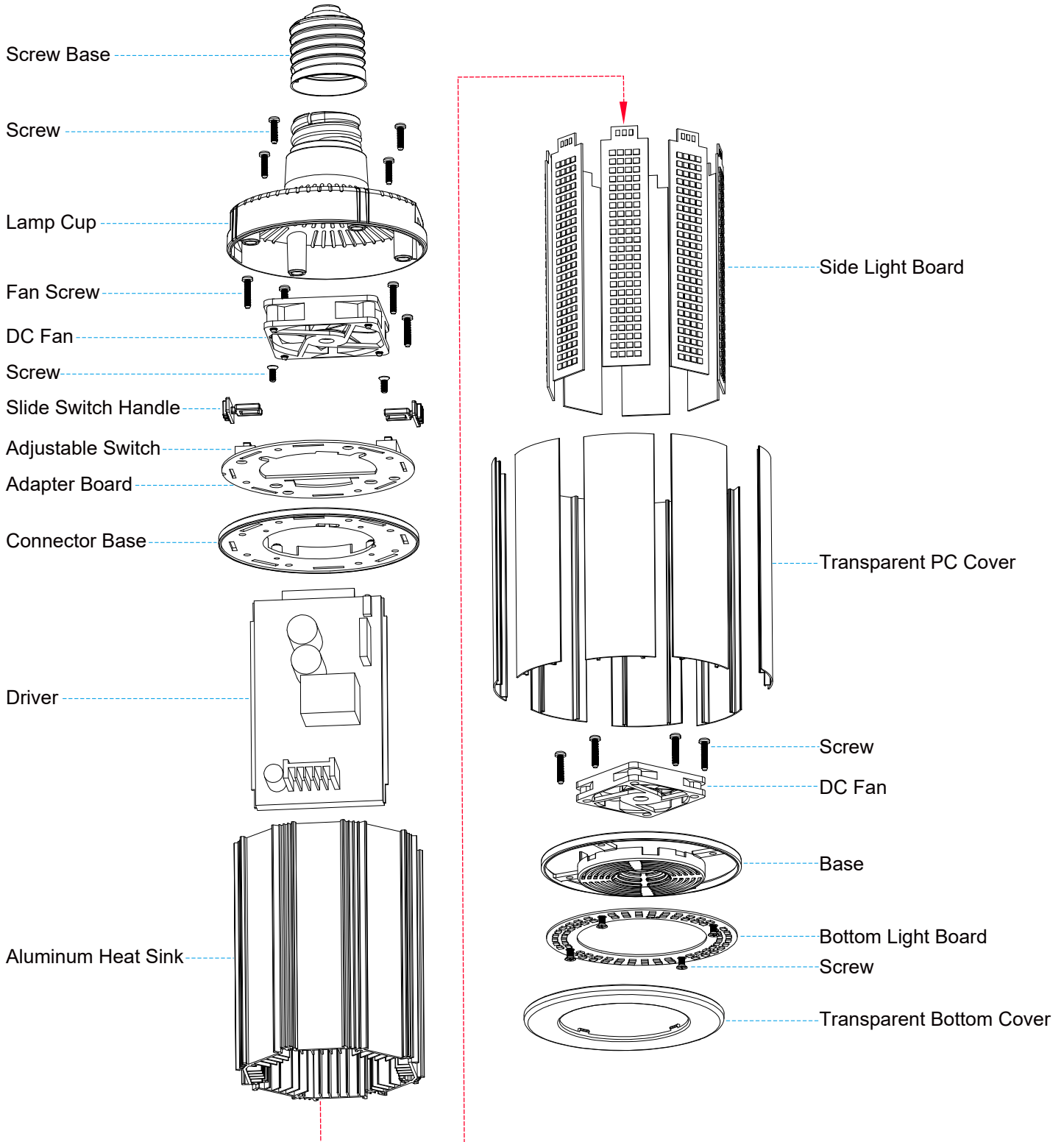


120W/ 150W

Weight: 850g/ 1.87 lbs



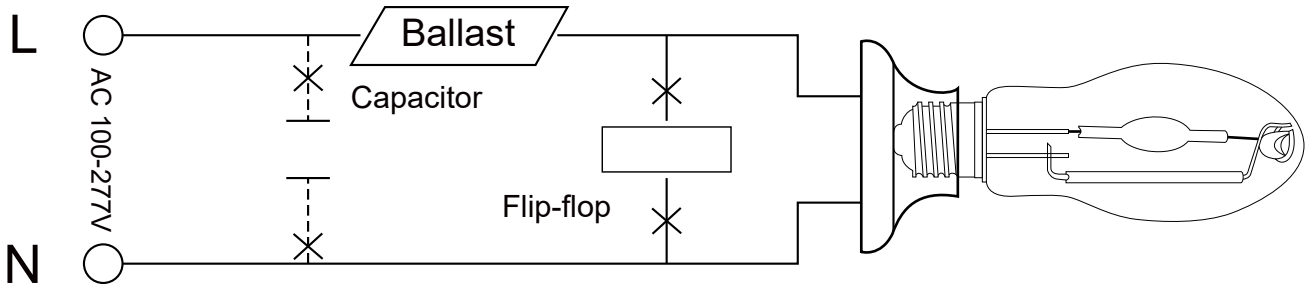
STRUCTURE



INSTALLATION INSTRUCTIONS

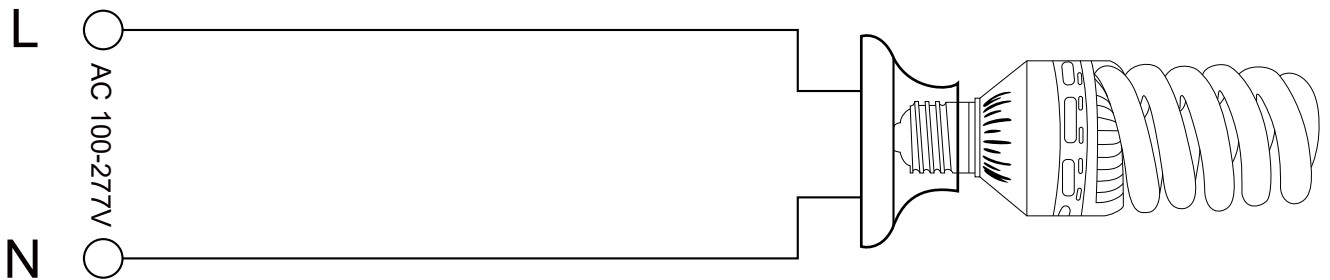
1. Remove old ballast or disconnect from existing lamp holder.
Remove and dispose of ballast in correct manner.
Shown as Figure 1.(North America 100-277 VAC)

Fig1



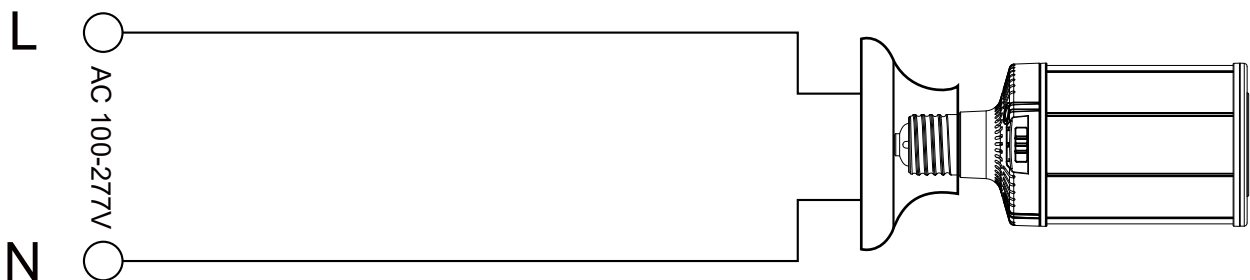
2. Reconnect directly to the existing lamp holder. Shown as Figure 2.
(North America 100-277VAC)

Fig2



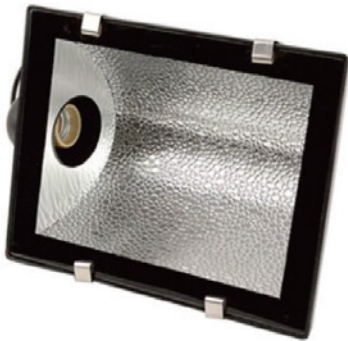
3. Install New LED Replacement lamp. Shown as Figure 3. Please make sure the old fitting is correctly earth. (North America 100-277VAC)

Fig3



APPLICATION

Flood Light Fixture



Cobra Fixture



Post Top Fixture



Shoebbox Fixture



Wall Pack Fixture



High Bay Fixture



LED corn light can be widely used in warehouse, workshop, parking lot, street lighting, with high bay, shoebox, canopy fixtures.



Parking Lot



Yard

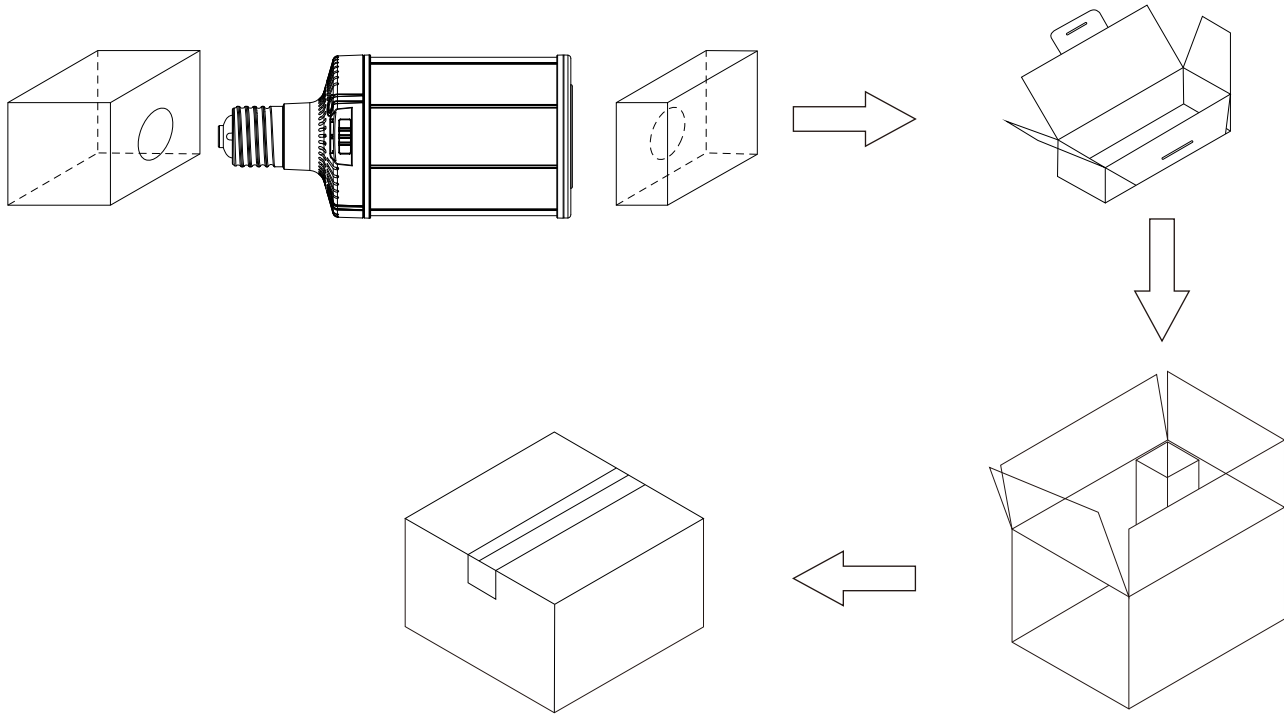


Street



Stadium

PACKAGE



Series	Unit	Package Size	Gross Weight	Volume
NG-FCL-30W NG-FCL-45W	1 PC	111x111x200mm/ 4.37**4.37**7.87"	0.52 kg/ 1.15 lbs	0.002m ³
	30 PCS	580x360x420mm/ 22.83**14.17**16.54"	16.6 kg/ 36.60 lbs	0.088m ³
NG-FCL-60W NG-FCL-75W	1 PC	111x111x240mm/ 4.37**4.37**9.45"	0.66 kg/ 1.45 lbs	0.003m ³
	24 PCS	475x360x500mm/ 18.70**14.17**19.69"	17.0 kg/ 37.48 lbs	0.086m ³
NG-FCL-80W NG-FCL-100W	1 PC	130x130x215mm/ 5.12**5.12**8.46"	0.70 kg/ 1.54 lbs	0.004m ³
	18 PCS	420x420x450mm/ 16.54**16.54**17.72"	14.0 kg/ 30.86 lbs	0.079m ³
NG-FCL-120W NG-FCL-150W	1 PC	130x130x255mm/ 5.12**5.12**10.04"	0.95 kg/ 2.09 lbs	0.004m ³
	12 PCS	420x300x530mm/ 16.54**11.81**20.87"	13.0 kg/ 28.66 lbs	0.067m ³