

LED RETROFIT KITS

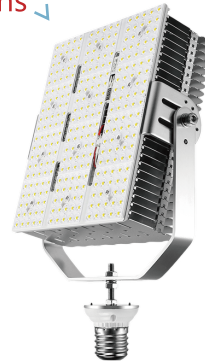
- LED Retrofit kits 100W~300W design with innovation flat panel appearance is a perfect choice for pole fixture, such as shoebox, cobra head.
- Aluminum fin heat sink design with sunon fan active cooling technology keeps driver and LED array cool for maximum performance in enclosed fixture.
- Many unique features including rotatable, external Meanwell driver, mogul screw and yoke mount bracket made the light are special and functional.
- LED Retrofit kits is ETL safety certification approved,
- 5 years worry free maintenance.



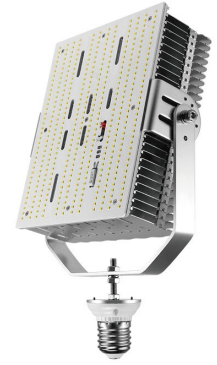
PC Lens



100W/120W/150W



200W/240W

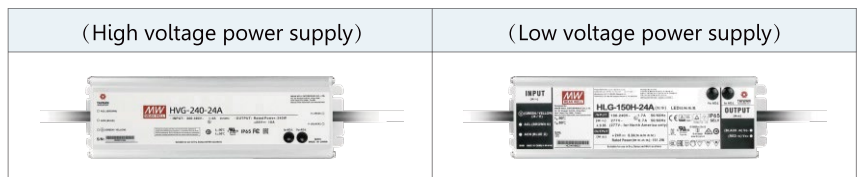


300W



Features

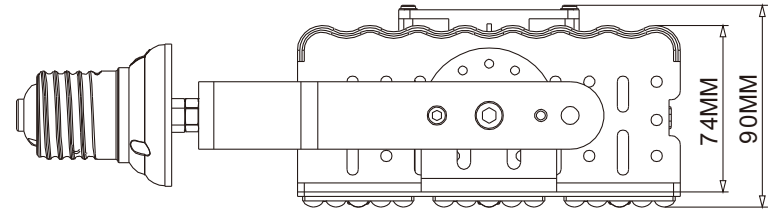
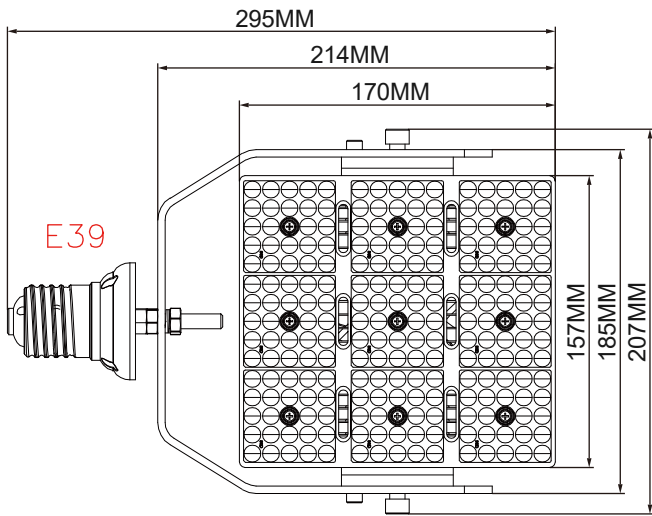
- PC lens protect LED chips
- 100W~300W for choice
- ETL cETL DLC approved
- Meanwell driver
- AC100-277V & AC185-528V input
- Rotable Design
- SMD3030 LED chips
- 135~145Lm/W
- 90/120 degree beam angle
- Unique Cooling System designed with an aluminum fin heat sink
- Adjust 180 degree, E40 E39 socket
- High Lumens LED Chips
- 250Watt-1500Watt MH/HPS replacement
- 5 years warranty



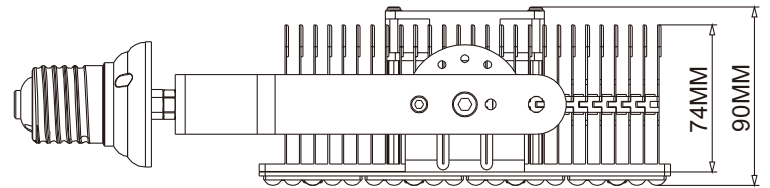
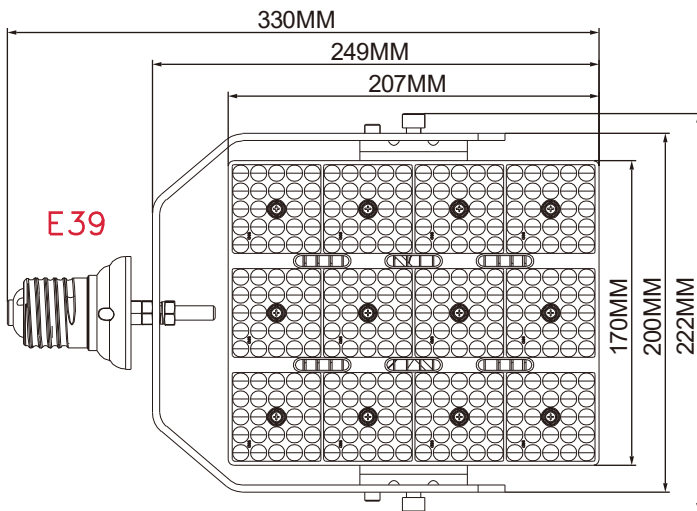
Applications

LED Retrofit Kits series can be widely used in parking lot, Tennis Court, Canopy gas station, schools, garden, parking lots, public parks etc.

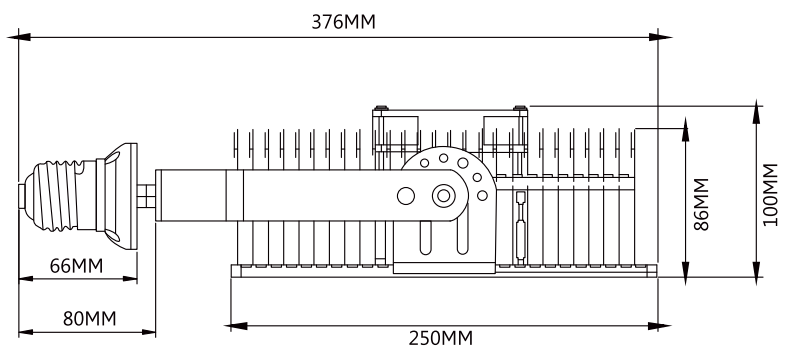
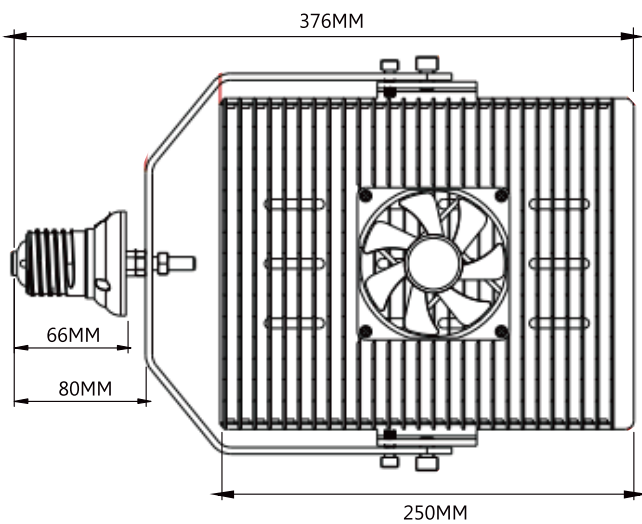
Series	Lumens	Base	LED Type	Electrical Data	Beam Angle (Degree)	Color temperature	Color rendering index
NGRK-100W	14000LM 14,000 lumens	E39,E40	216pcs SMD 3030 Chips	100-277V / 185-528V 50~60Hz Power Factor(%)>90 IP42	180 Degree	WW 3000 K NW 4000 K DW 5000 K CW 5700 K	70 70 CRI 80 80 CRI 90 90 CRI
NGRK-120W	16800LM 16,800 lumens	E39,E40	216pcs SMD 3030 Chips				
NGRK-150W	21000LM 21,000 lumens	E39,E40	216pcs SMD 3030 Chips				
NGRK-200W	28000LM 28,000 lumens	E39,E40	288pcs SMD3030 Chips				
NGRK-240W	33600LM 33,600 lumens	E39,E40	288pcs SMD3030 Chips				
NGRK-300W	42000LM 42,000 lumens	E39,E40,Yoke Bracket	432pcs SMD3030 Chips				



100~150W



200~240W

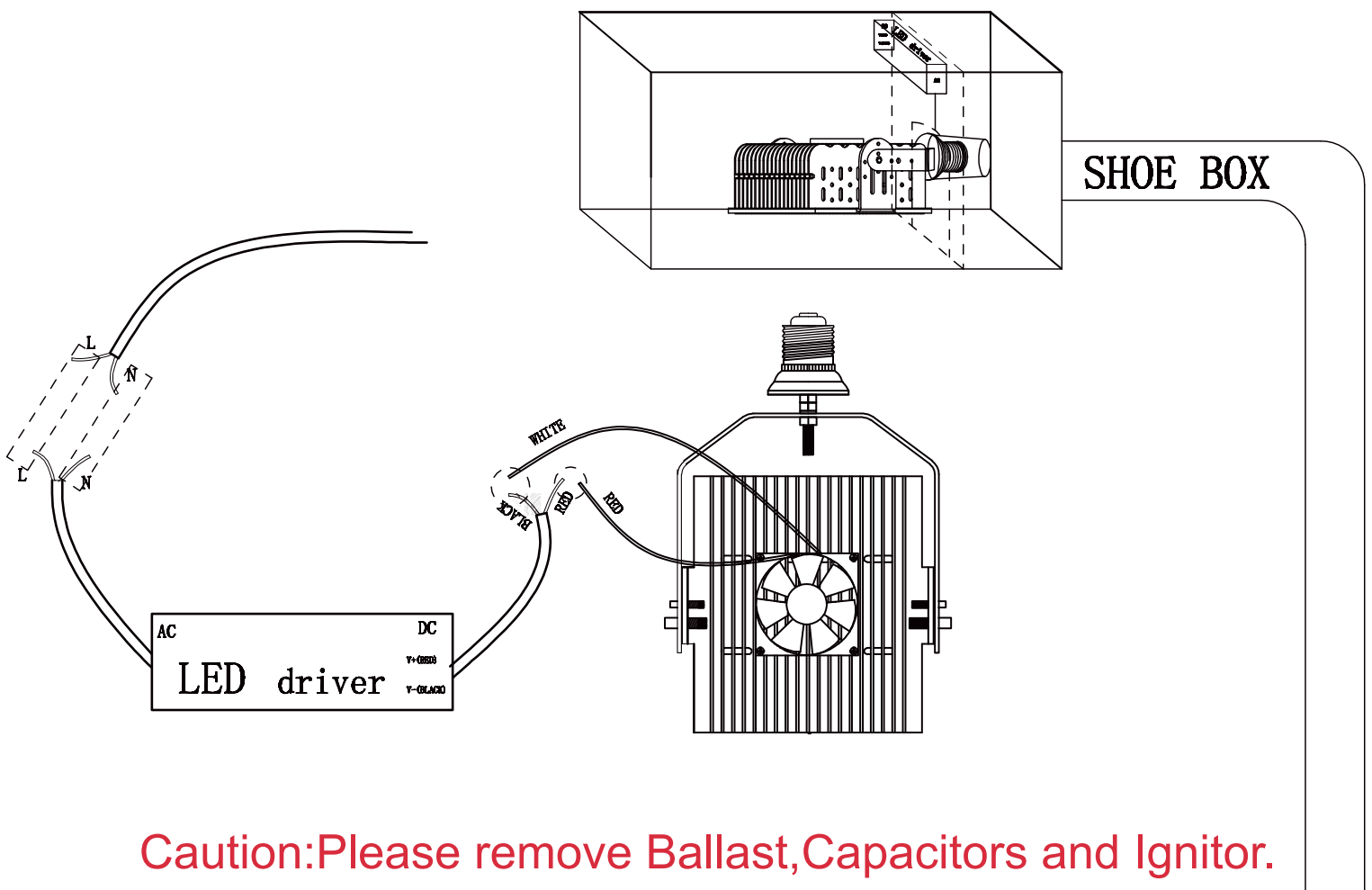


300W

100~300W

E39 E40 Retrofit kit with Meanwell driver:

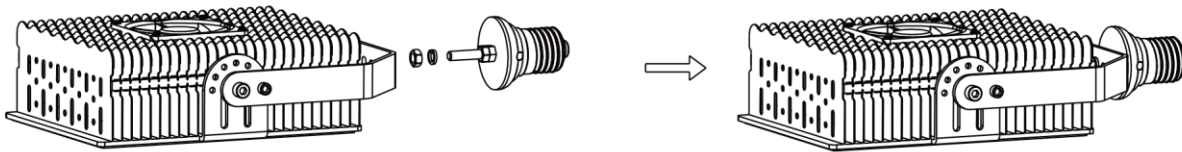
- ① E39 E40 base install in fixture socket
- ② Output of Meanwell driver connect with fixture socket
Red(DC+) connect Meanwell driver red line(L),
Black(DC-) connect Meanwell driver black line(N)
- ③ Input of Meanwell driver connect 100~277VAC or 185~528VAC
Green / Yellow(E) connect PE. Brown(AC+) connect L
Blue(AC-) connect N
- ④ Turn on the light.



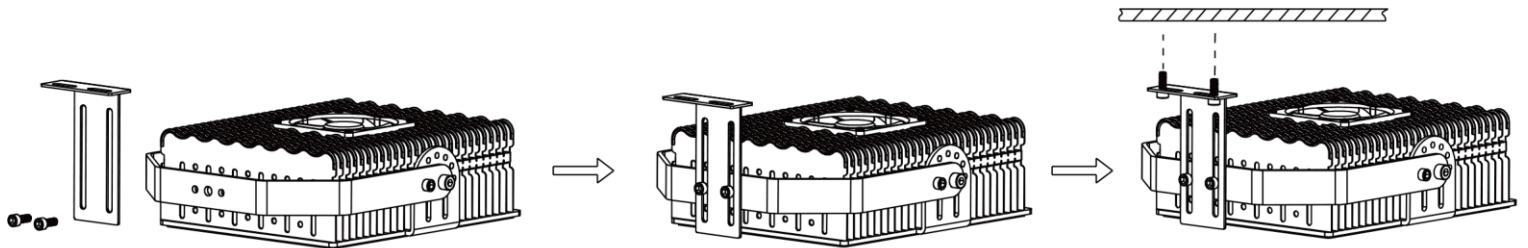
Caution: Please remove Ballast, Capacitors and Ignitor.

300W

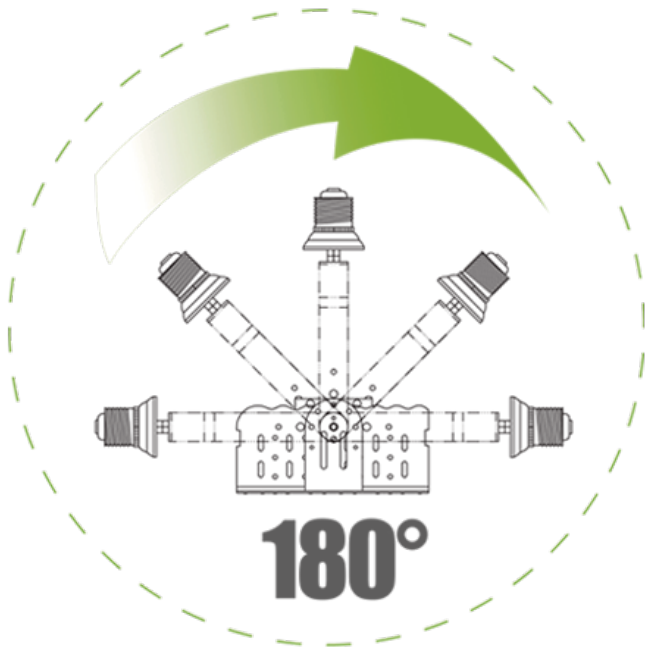
Installation 1



Installation 2



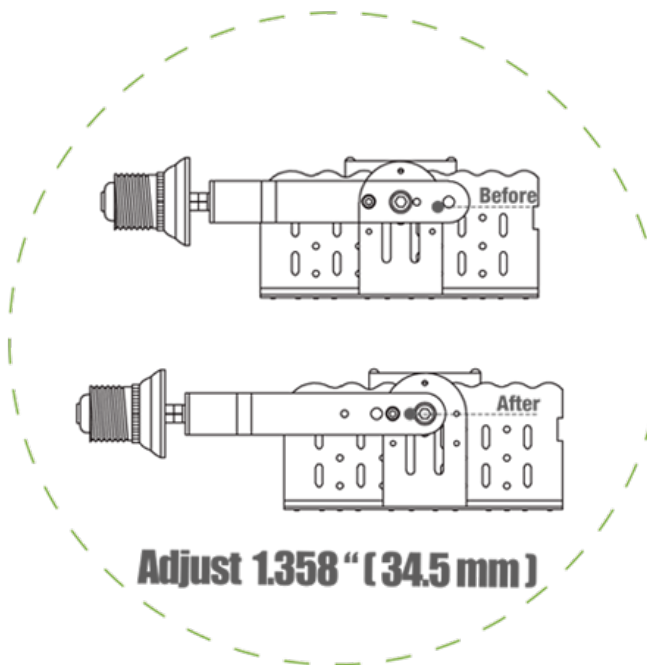
ROTABLE FUNCTION



Rotable 180°



Rotable 360°



Adjust 1.358" (34.5 mm)



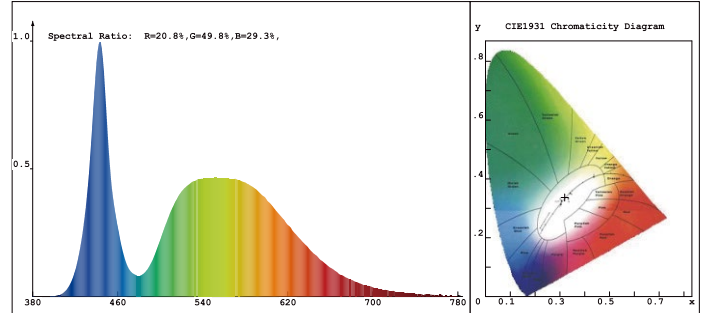
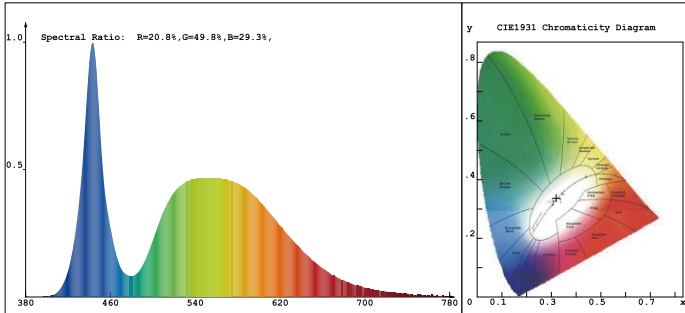
Rotable 360°

100W LED Retrofit Kits

120W LED Retrofit Kits

Product Mark
 Product Type :100W LED Retrofit Kits Manufacturer :NO
 Temperature :NO Humidity :65%
 Operator :admin Test Date :2014-11-12 09:18:02
 Remark:

Product Mark
 Product Type :120W LED Retrofit Kits Manufacturer :NO
 Temperature :NO Humidity :65%
 Operator :admin Test Date :2014-11-12 09:18:02
 Remark:



Chroma Parameters
 Chro. Coor.:x=0.3198 y=0.3373 u=0.1996 v=0.3158 duv=0.0039
 CCT: 6096K Dominant Wave.:495.5nm Purity:4.3%
 Flux RGB Ratio:R=12.5%,G=85.2%,B=2.3% Peak Wave:443.5nm Half Width:19.4nm

Chroma Parameters
 Chro. Coor.:x=0.3198 y=0.3373 u=0.1996 v=0.3158 duv=0.0039
 CCT: 6096K Dominant Wave.:495.5nm Purity:4.3%
 Flux RGB Ratio:R=12.5%,G=85.2%,B=2.3% Peak Wave:443.5nm Half Width:19.4nm

Rendering Index:Ra= 71.2
 R1 =70 R2 =73 R3 =76 R4 =73 R5 =72 R6 =67 R7 =78 R8 =60
 R9 =0 R10=37 R11=74 R12=47 R13=69 R14=87 R15=64

Rendering Index:Ra= 71.2
 R1 =70 R2 =73 R3 =76 R4 =73 R5 =72 R6 =67 R7 =78 R8 =60
 R9 =0 R10=37 R11=74 R12=47 R13=69 R14=87 R15=64

Photo Parameters
 Flux:14706.96lm Effi.:139.8lm/W Radiant:53253.8mW Ri:0.0mW/sr

Photo Parameters
 Flux:17179.95lm Effi.:137.3lm/W Radiant:53253.8mW Ri:0.0mW/sr

Ele. Parameters
 Voltage:U=220.300V Current:I=0.7950A
 Power:P=105.20W Power Factor:PF=0.977

Ele. Parameters
 Voltage:U=220.300V Current:I=0.7950A
 Power:P=125.20W Power Factor:PF=0.977

Instrument state
 Instrument:Hopoo HP8000S Integral Time: 1.000ms VPeak: 14672
 VDark: 1245 Scan Range: 380-780nm Product ID: 201308416

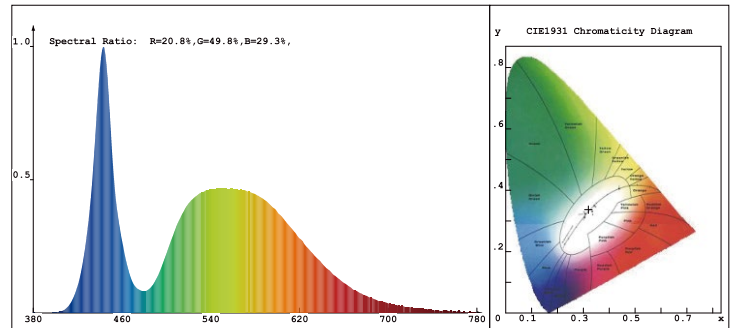
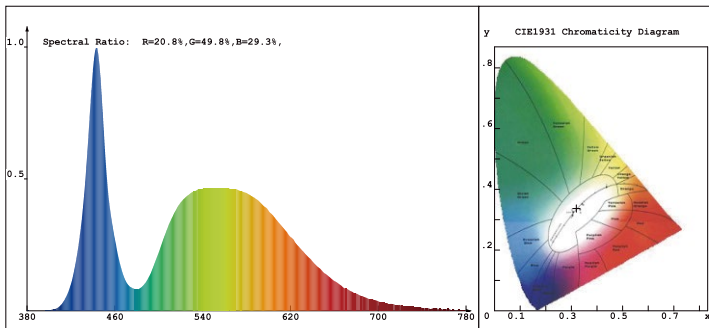
Instrument state
 Instrument:Hopoo HP8000S Integral Time: 1.000ms VPeak: 14672
 VDark: 1245 Scan Range: 380-780nm Product ID: 201308416

150W LED Retrofit Kits

200W LED Retrofit Kits

Product Mark
 Product Type :150W LED Retrofit Kits Manufacturer :NO
 Temperature :NO Humidity :65%
 Operator :admin Test Date :2014-11-12 09:18:02
 Remark:

Product Mark
 Product Type :200W LED Retrofit Kits Manufacturer :NO
 Temperature :Nuoguan'C Humidity :65%
 Operator :admin Test Date :2014-11-12 09:18:02
 Remark:



Chroma Parameters
 Chro. Coor.:x=0.3198 y=0.3373 u=0.1996 v=0.3158 duv=0.0039
 CCT: 6096K Dominant Wave.:495.5nm Purity:4.3%
 Flux RGB Ratio:R=12.5%,G=85.2%,B=2.3% Peak Wave:443.5nm Half Width:19.4nm

Chroma Parameters
 Chro. Coor.:x=0.3198 y=0.3373 u=0.1996 v=0.3158 duv=0.0039
 CCT: 6096K Dominant Wave.:495.5nm Purity:4.3%
 Flux RGB Ratio:R=12.5%,G=85.2%,B=2.3% Peak Wave:443.5nm Half Width:19.4nm

Rendering Index:Ra= 71.2
 R1 =70 R2 =73 R3 =76 R4 =73 R5 =72 R6 =67 R7 =78 R8 =60
 R9 =0 R10=37 R11=74 R12=47 R13=69 R14=87 R15=64

Rendering Index:Ra= 71.2
 R1 =70 R2 =73 R3 =76 R4 =73 R5 =72 R6 =67 R7 =78 R8 =60
 R9 =0 R10=37 R11=74 R12=47 R13=69 R14=87 R15=64

Photo Parameters
 Flux:21914.24lm Effi.:141.3lm/W Radiant:53253.8mW Ri:0.0mW/sr

Photo Parameters
 Flux:27112.41lm Effi.:137lm/W Radiant:53253.8mW Ri:0.0mW/sr

Ele. Parameters
 Voltage:U=220.300V Current:I=0.7950A
 Power:P=155.20W Power Factor:PF=0.977

Ele. Parameters
 Voltage:U=220.300V Current:I=0.7950A
 Power:P=205.20W Power Factor:PF=0.977

Instrument state
 Instrument:Hopoo HP8000S Integral Time: 1.000ms VPeak: 14672
 VDark: 1245 Scan Range: 380-780nm Product ID: 201308416

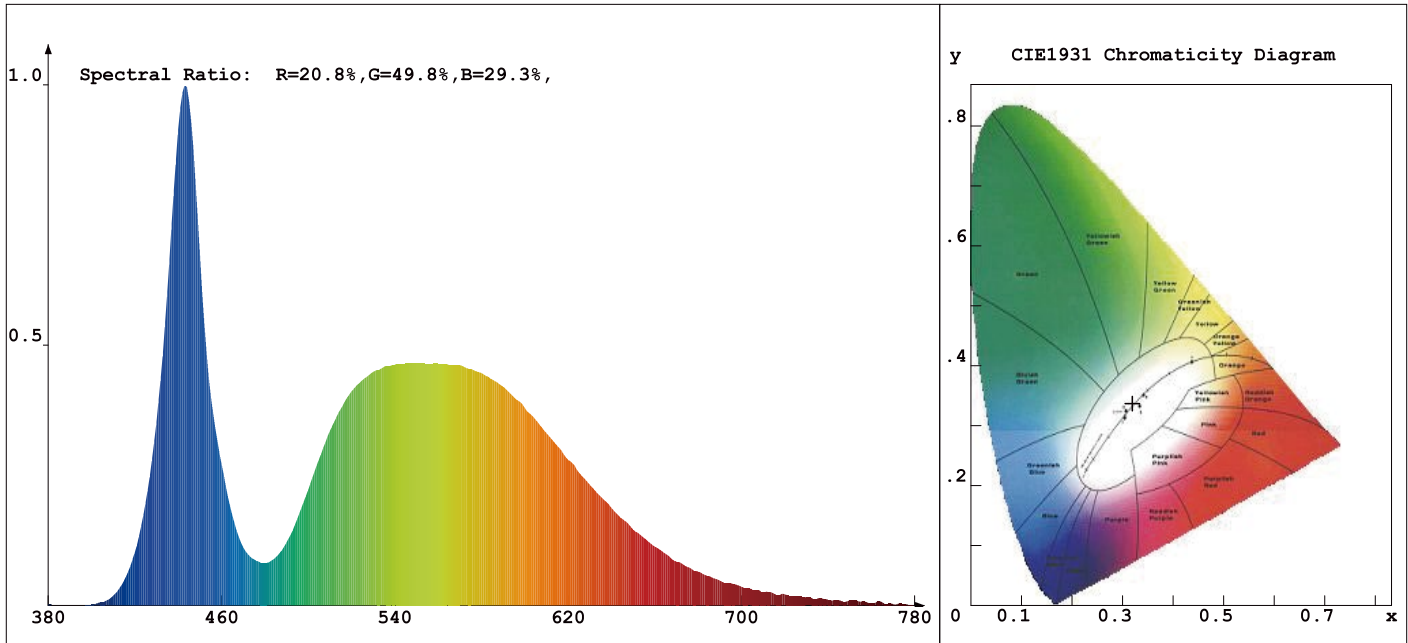
Instrument state
 Instrument:Hopoo HP8000S Integral Time: 1.000ms VPeak: 14672
 VDark: 1245 Scan Range: 380-780nm Product ID: 201308416

240W LED Retrofit Kits

Product Mark

Product Type :240W LED Retrofit Kits
 Temperature :NO
 Operator :admin
 Remark:

Manufacturer :NO
 Humidity :65%
 Test Date :2014-11-12 09:18:02



Chroma Parameters

Chro.Coor.:x=0.3198 y=0.3373 u=0.1996 v=0.3158 duv=0.0039
 CCT: 6096K Dominant Wave.:495.5nm Purity:4.3%
 Flux RGB Ratio:R=12.5%,G=85.2%,B=2.3% Peak Wave:443.5nm Half Width:19.4nm

Rendering Index:Ra= 71.2

R1 =70	R2 =73	R3 =76	R4 =73	R5 =72	R6 =67	R7 =78	R8 =60
R9 =0	R10=37	R11=74	R12=47	R13=69	R14=87	R15=64	

Photo Parameters

Flux:34058.28lm Effi.:138.9lm/W Radiant:53253.8mW Ri:0.0mW/sr

Ele. Parameters

Voltage:U=220.300V Current:I=0.7950A
 Power:P=245.20W Power Factor:PF=0.977

Instrument state

Instrument:Hopoo HP8000S Integral Time: 1.000ms VPeak: 14672
 VDark: 1245 Scan Range: 380-780nm Product ID: 201308416

Power	Unit	Size	Gross weight	Volume
100~150W	1pcs	32*32*13.5cm	2.6kg	0.014m ³
	4pcs	59.5*33.5*34cm	11.5kg	0.068m ³

Power	Unit	Size	Gross weight	Volume
200~240W	1pcs	34*34*13.5cm	2.9kg	0.016m ³
	4pcs	59.5*35.5*36cm	12.5kg	0.076m ³

Power	Unit	Size	Gross weight	Volume
300W	1pcs	39.5*35.5*15cm	4.8kg	0.021m ³
	3pcs	49.5*42.5*38cm	14.5kg	0.08m ³

