

# ECOMAX LIGHTING

V3 Watt&CCT Tunable FLOOD LED LIGHT.



Date: ..... Location: .....

Product: ..... Project: .....

Quantity: ..... Catalog# .....

## FEATURES

- Both Power and CCT adjustable.
- Multiple mounts like Knuckle, Yoke or slip filter, easy install.
- Sturdy and aesthetic design, die-casting aluminum alloy.
- IP65 rated. anti-corrosion and rust proof.
- Uniform and wide flood brightness.

## SUITABLE APPLICATIONS

- Warehouses
- Factories
- Parking Lots
- Shopping Malls
- Supermarkets
- Logistic Centers

### CONSTRUCTION:

Heavy die-cast aluminum alloy housing with bronze powder-coated finish. Glass lens.

### ELECTRICAL:

Available as 120-277V input. -20°C to 60°C.

### OPTICAL SYSTEM:

High brightness Lumileds chips. High quality tempered glass optics. 120° beam angle.

### INSTALLATION & MOUNTING:

Wall Mounting Or Pipe pole Mounting for easy installation.

### WARRANTY:

5-year limited warranty. Actual performance may differ as a result of end-user environment and application.

### PERFORMANCE

Model NO	Power Switchable	Voltage/Current Input			Light Efficiency	Kelvin Options
		120V	277V	347V		
LS3FL-15/20/35W	15W 20W 35W	0.12A/0.2A/0.3A	0.06A/0.07A/0.1A	0.04A/0.05A/0.10A	135LM/W	3000K/4000K/5000K
LS3FL-35/60/80W	35W 60W 80W	0.3A/0.5A/0.6A	0.1A/0.2A/0.3A	0.10A/0.17A/0.23A	135LM/W	3000K/4000K/5000K
LS3FL-100/120/150W	150W 100W 80W	0.8A/1.0A/1.2A	0.3A/0.4A/0.5A	0.28A/0.34A/0.43A	135LM/W	3000K/4000K/5000K

# V3 Watt&CCT Tunable FLOOD LED LIGHT

Model NO	Wattage	Voltage/Current Input			Light Efficiency	Kelvin Options
		120V	277V	347V		
LS3FL-15W	15W	0.12A	0.06A	0.04A	135LM/W	3000K/4000K/5000K
LS3FL-20W	20W	0.20A	0.07A	0.05A	135LM/W	3000K/4000K/5000K
LS3FL-35W	35W	0.30A	0.12A	0.10A	135LM/W	3000K/4000K/5000K
LS3FL-60W	60W	0.50A	0.20A	0.17A	135LM/W	3000K/4000K/5000K
LS3FL-80W	80W	0.60A	0.30A	0.23A	135LM/W	3000K/4000K/5000K
LS3FL-100W	100W	0.80A	0.30A	0.28A	135LM/W	3000K/4000K/5000K
LS3FL-120W	120W	1.0A	0.43A	0.34A	135LM/W	3000K/4000K/5000K
LS3FL-150W	150W	1.25A	0.54A	1.25A	135LM/W	3000K/4000K/5000K

## OPTIONAL ACCESSORIES

Open hole for Power Switchable

100W 120W 150W 3000K 4000K 5000K

<input type="checkbox"/>	<input type="checkbox"/>	<input type="checkbox"/>	<input type="checkbox"/>	<input type="checkbox"/>	<input type="checkbox"/>
--------------------------	--------------------------	--------------------------	--------------------------	--------------------------	--------------------------

Power CCT

The lamps have the function of adjusting power and color temperature

## PRODUCT ORDERING GUIDE

LS 3FL - XXW  
 1 2 3  
 LS  3FL -  15W

- LS LEDSION
- 3FL V3 Flood
- 15W Power 15W  30W Power 30W
- 60W Power 60W  80W Power 80W
- 100W Power 100W  150W Power 150W

## Electric Characteristic

Specification/Model	LS3FL-30/20/15W	LS3FL-80/60/30W	LS3FL-150/100/80W
LED Driver	UL listed CN Brand driver		
Input power	30W/20W/15W	80W/60W/30W	150W/100W/80W
Lumen output	4050LM/2700LM/2025LM	10800LM/8100LM/4050LM	20250LM/13500LM/10800LM
Efficiency	135LM/W	135LM/W	135LM/W
CRI	>72	>72	>72
Color Temperature	5000K	5000K	5000K
Input voltage	120-277V/120-347VAC	120-277V/120-347VAC	120-277V/120-347VAC
Light distribution type	120D	120D	120D
Working temperature	-20+60°C	-20+60°C	-20+60°C
Junction temperature	<75°C	<75°C	<75°C
Lamp efficiency	≥90%	≥90%	≥90%
Certificate	UL CUL DLC	UL CUL DLC	UL CUL DLC
Equivalent	15-90W MH/HPS	90-300W MH/HPS	300-500W MH/HPS

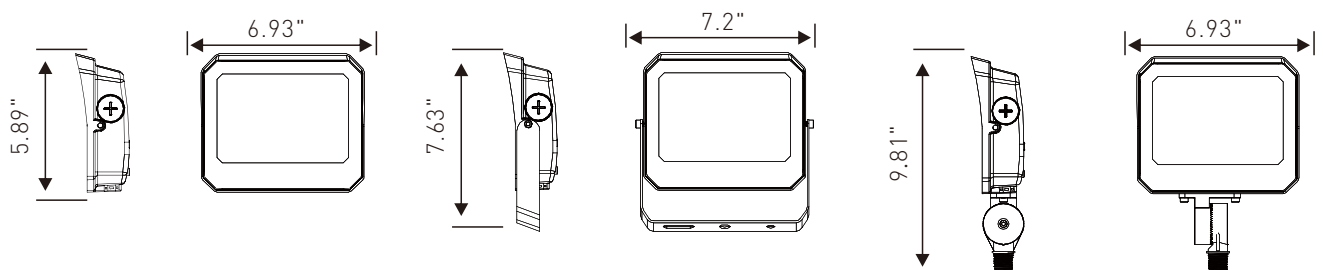
# V3 Watt&CCT Tunable FLOOD LED LIGHT

## Electric Characteristic

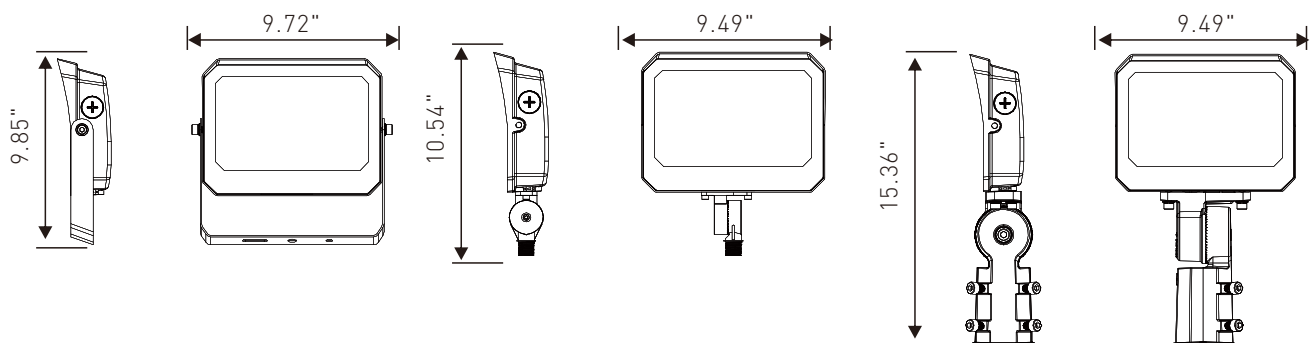
Specification/Model	LS3FL-15W	LS3FL-20W	LS3FL-35W	LS3FL-60W	LS3FL-80W	LS3FL-100W	LS3FL-120W	LS-3FL-150W
LED Driver	UL Listed CN Brand Driver							
Input power	15W	20W	35W	60W	80W	100W	120W	150W
Lumens output	2025LM	2700LM	4725LM	8100LM	10800LM	13500LM	16200LM	20250LM
Efficiency	135LM/W	135LM/W	135LM/W	135LM/W	135LM/W	135LM/W	135LM/W	135LM/W
CRI	>72	>72	>72	>72	>72	>72	>72	>72
Color Temperature	5000K	5000K	5000K	5000K	5000K	5000K	5000K	5000K
Input voltage	120-277V/AC	120-277V/AC	120-277V/AC	120-277V/AC	120-277V/AC	120-277V/AC	120-277V/AC	120-277V/AC
Light distribution type	120D	120D	120D	120D	120D	120D	120D	120D
Working temperature	-20+60°C	-20+60°C	-20+60°C	-20+60°C	-20+60°C	-20+60°C	-20+60°C	-20+60°C
Junction temperature	<75°C	<75°C	<75°C	<75°C	<75°C	<75°C	<75°C	<75°C
lamps efficiency	≥90%	≥90%	≥90%	≥90%	≥90%	≥90%	≥90%	≥90%
Certificate	UL CUL DLC	UL CUL DLC	UL CUL DLC	UL CUL DLC	UL CUL DLC	UL CUL DLC	UL CUL DLC	UL CUL DLC
Equivalent	30-45W MH/HPS	45-60W MH/HPS	60-90W MH/HPS	90-180W MH/HPS	180-240W MH/HPS	240-300W MH/HPS	240-360W MH/HPS	360-500W MH/HPS

## DIMENSION

30W/15W

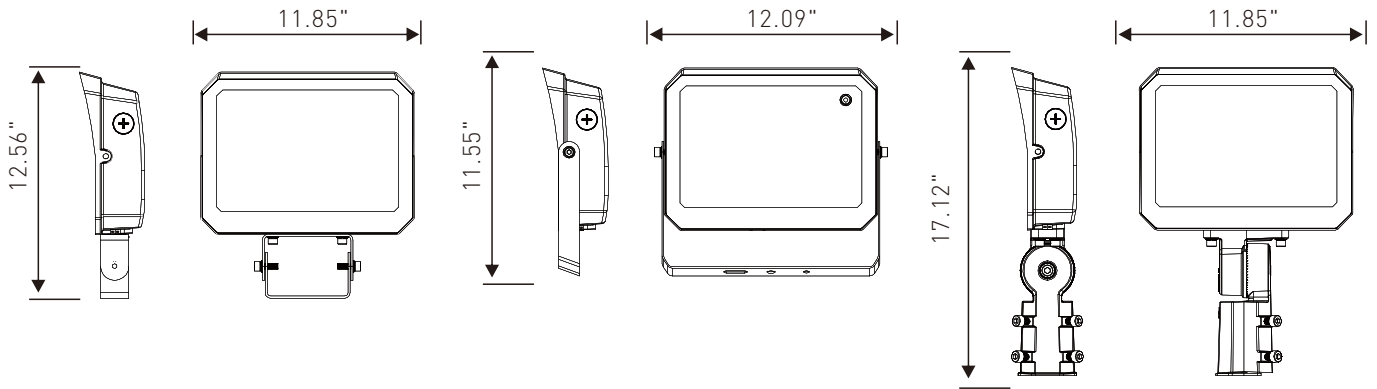


60W/80W



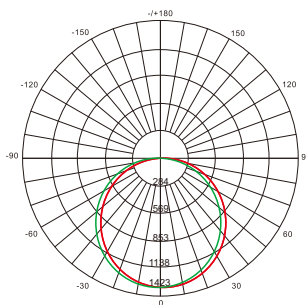
# V3 Watt&CCT Tunable FLOOD LED LIGHT

100W/150W



## DISTRIBUTION DIAGRAM

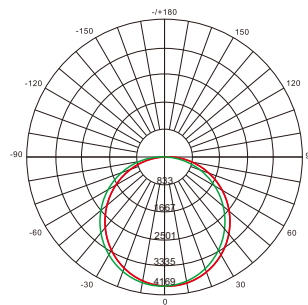
LS3FL-15W



AVERAGE BEAM ANGLE(50%): 120°

UNIT:CD  
 Test Number: LS3FL15W  
 Lumens:2025LM  
 Test Number:15W  
 Test Number:5000K

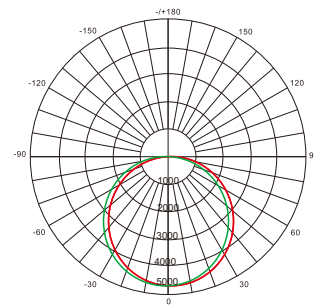
LS3FL-30W



AVERAGE BEAM ANGLE(50%): 120°

UNIT:CD  
 Test Number: LS3FL-30W  
 Lumens:4050LM  
 Test Number:30W  
 Test Number:5000K

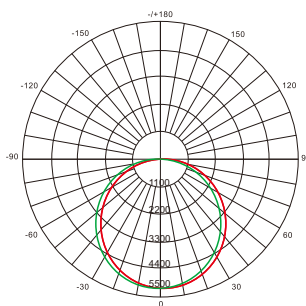
LS3FL-60W



AVERAGE BEAM ANGLE(50%): 120°

UNIT:CD  
 Test Number:LS-FL60W  
 Lumens:8100LM  
 Test Number:60W  
 Test Number:5000K

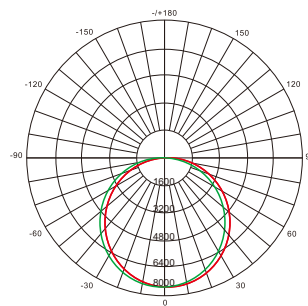
LS3FL-80W



AVERAGE BEAM ANGLE(50%): 120°

UNIT:CD  
 Test Number: LS3FL-80W  
 Lumens:10800LM  
 Test Number:80W  
 Test Number:5000K

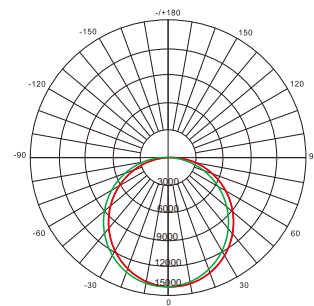
LS3FL-100W



AVERAGE BEAM ANGLE(50%): 120°

UNIT:CD  
 Test Number: LS3FL-100W  
 Lumens:13500LM  
 Test Number:100W  
 Test Number:5000K

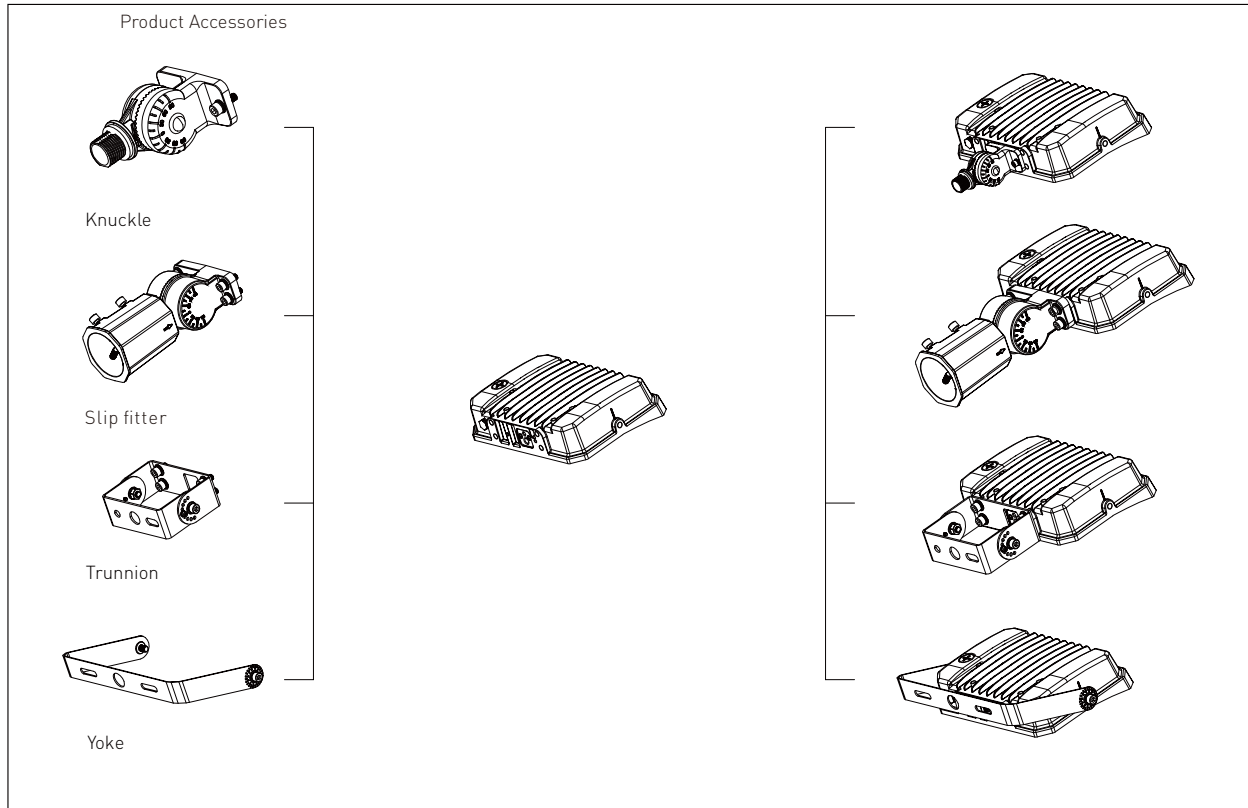
LS3FL-150W



AVERAGE BEAM ANGLE(50%): 120°

UNIT:CD  
 Test Number:LS3FL-150W  
 Lumens:20250LM  
 Test Number:150W  
 Test Number:5000K

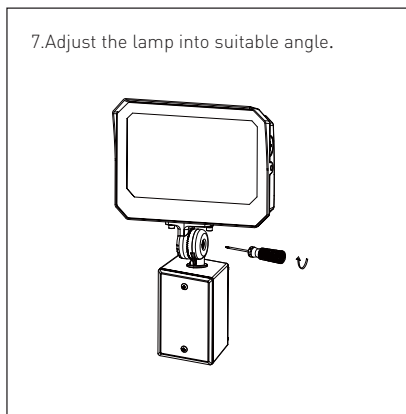
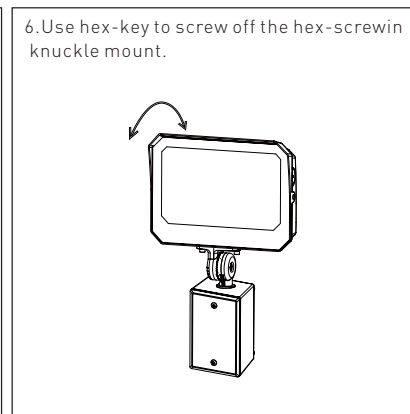
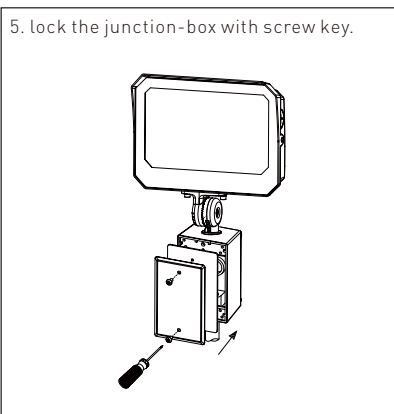
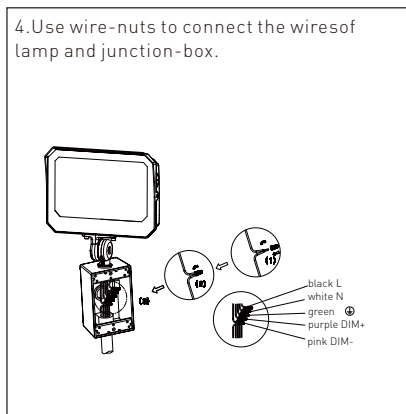
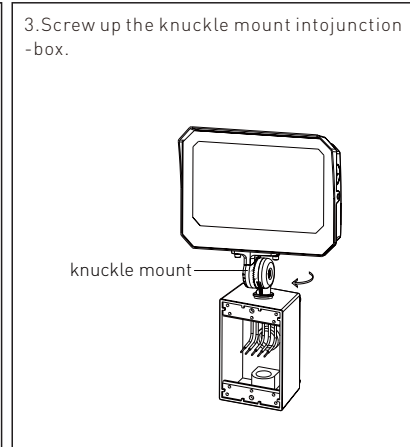
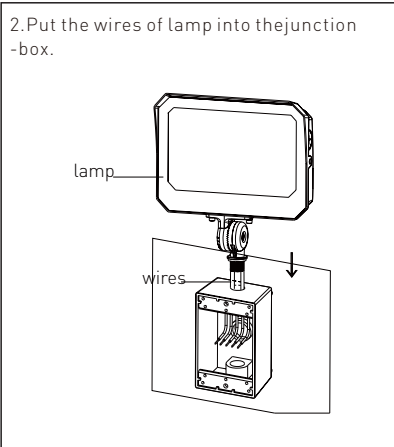
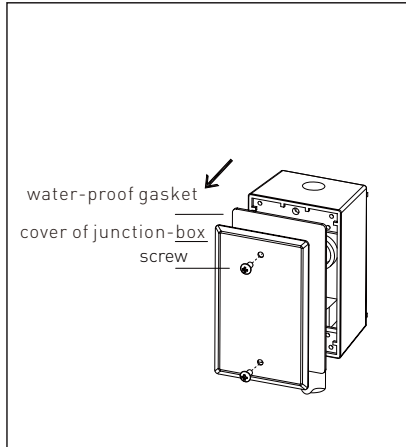
## Installation



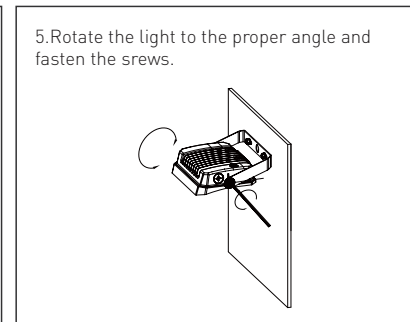
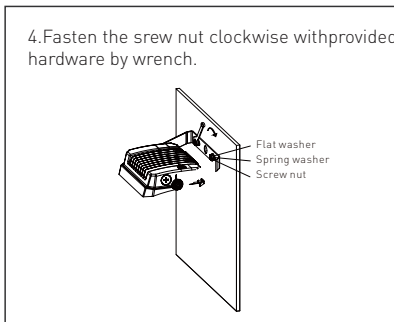
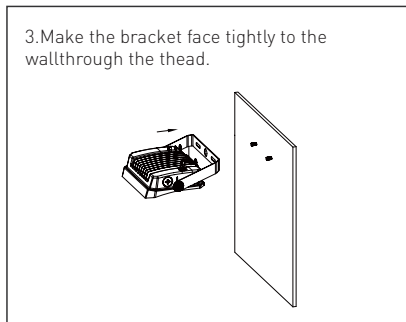
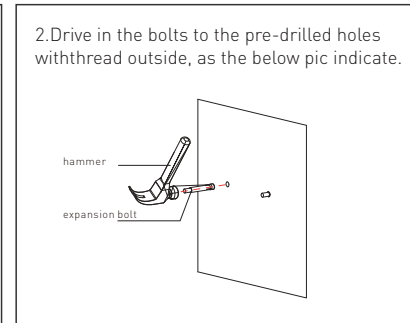
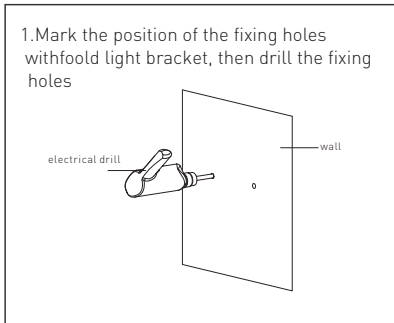
### Installation Instruction (Slip-fitter)

<p>1. Loosen the screw used to fix the upper and the lower mount in rotating shaft by Hexagon wrench.</p>	<p>2. Rotate the bracket to proper Angle..</p>	<p>3. Lock the upper and lower brackets by Hexagon wrench.</p>
<p>4. Connect wires.</p>	<p>5. Fix the bracket to lamp pole by hexagonal wrench.</p>	<p>Notice: The maximum diameter of lamp pole is 2.36", lamp adjustable angle is 0-90°</p>

## Installation Instruction



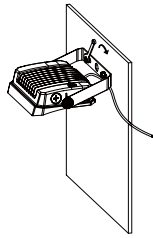
## Installation Instruction(Yoke)



6. Fasten the screw both sides with allen driver.

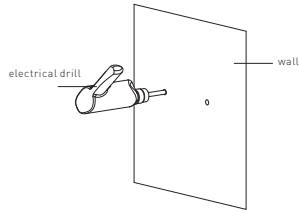


7. Connect wires.

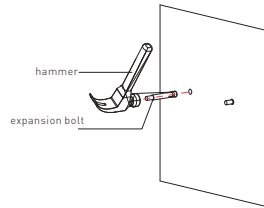


## Installation Instruction (Trunnion)

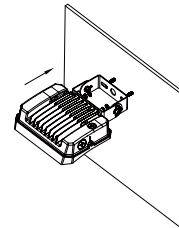
1. Mark the position of the fixing holes with flood light bracket, then drill the fixing holes



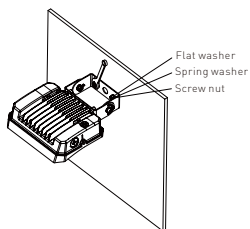
2. Drive in the bolts to the pre-drilled holes with thread outside, as the below pic indicate.



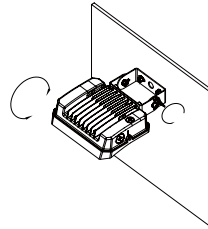
3. Make the bracket face tightly to the wall through the thread.



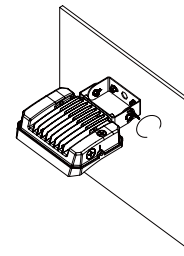
4. Fasten the screw nut clockwise with provided hardware by wrench.



5. Rotate the light to the proper angle and fasten the screws.



6. Fasten the screw both sides with allen driver.



7. Connect wires.

