

ECOMAX LIGHTING

Loading Dock LED Luminaires



Date: Location:

Product: Project:

Quantity: Catalog#

Advantage:

- IP65
- No UV or IR in the beam
- Easy to install and operate.
- Energy saving, long lifespan
- Light is soft and uniform, safe to eyes.
- Instant start, NO humming
- Green and eco-friendly without mercury
- Color tunable, adjustable
- ON/OFF function.

Application

- Dock, navigation opening
- Storage rack, storehouse, etc

CONSTRUCTION:

Heavy die-cast aluminum alloy housing with Yellow powder-coated finish.
Tempered glass lens.

ELECTRICAL:

Available as 120-277V input. -40°C to 45°C.

OPTICAL SYSTEM:

Lumileds 2835LED chips. High quality tempered glass optics. 110° beam angle.

WARRANTY:

5-year limited warranty. Actual performance may differ as a result of end-user environment and application.

PERFORMANCE

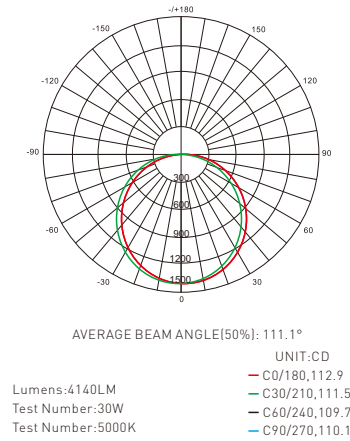
Model NO	Power Factor	Wattage	Voltage/CurrentInput		Light Efficiency	Kelvin Options
			120V	277V		
AST-RW01-30WBS8GA1-YHG50	0.9	30W	0.25A	0.11A	130LM/W	3000K/4000K/5000K

Electric Characteristic

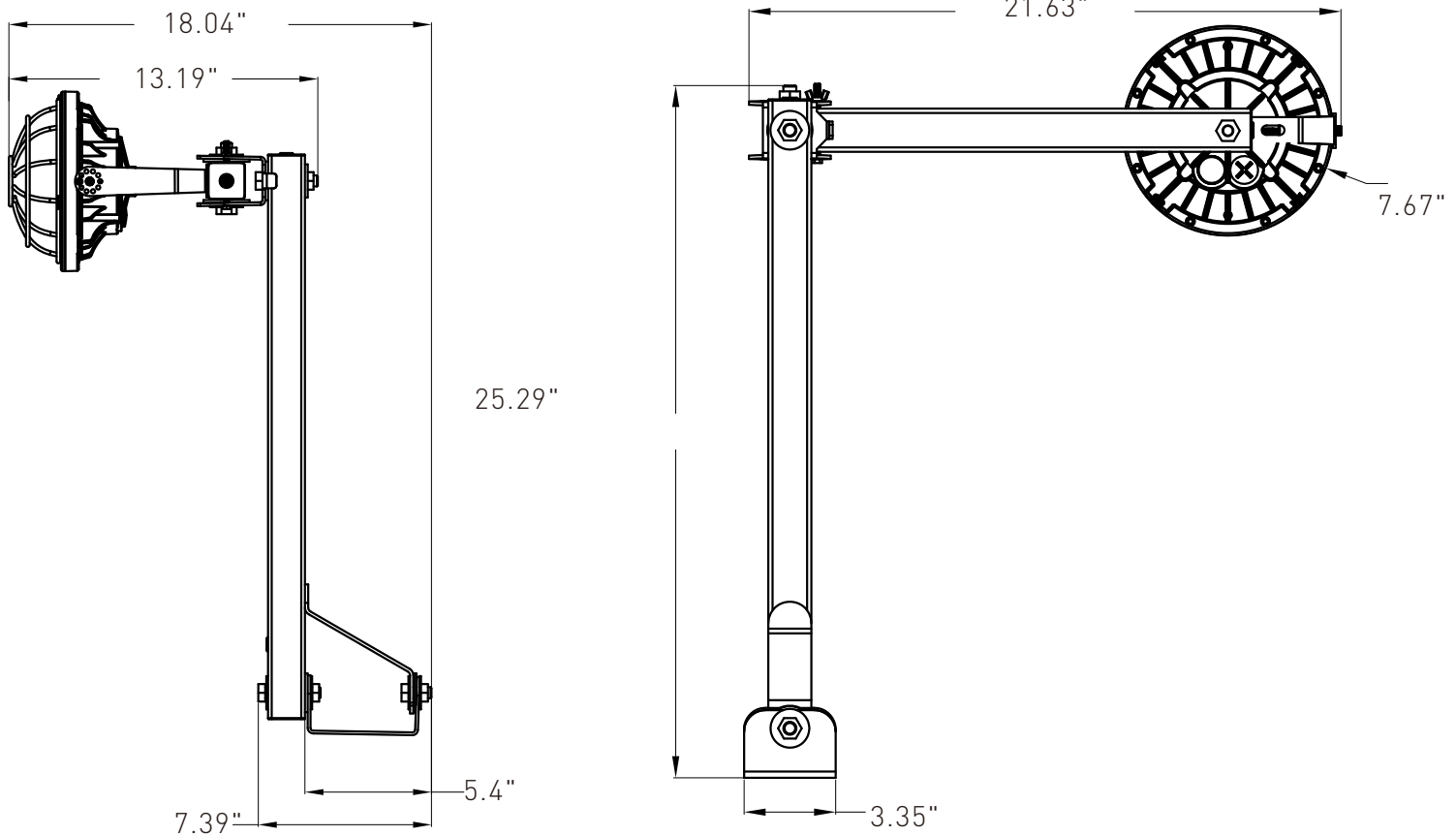
Specification/Model	AST-RW01-30WBS8GA1-YHG50
LED DRIVER	China Brand Driver
Input power	30W
Lumens output	4140LM
Efficiency	138LM/W
CRI	>80
Color Temperature	3000K/4000K/5000K
Input voltage	120-277V/AC
Light distribution type	80°/110°
Working temperature	-40+45°C
Junction temperature	<75°C
Lamps efficiency	≥90%
Certificate	UL CUL DLC
Equivalent	60-300WMH/HPS

DISTRIBUTION DIAGRAM

AST-RW01-30WBS8GA1-YHG50



DIMENSION



Installation Instruction

Cautions:

1. Do not use any electric generator to test the LED fixture.
2. Please abide by related country, regional and local law and regulations when installing this fixture.
3. Please turn off the power before installation or maintenance.
4. Proper earth grounding is required to ensure safety.

Notice:

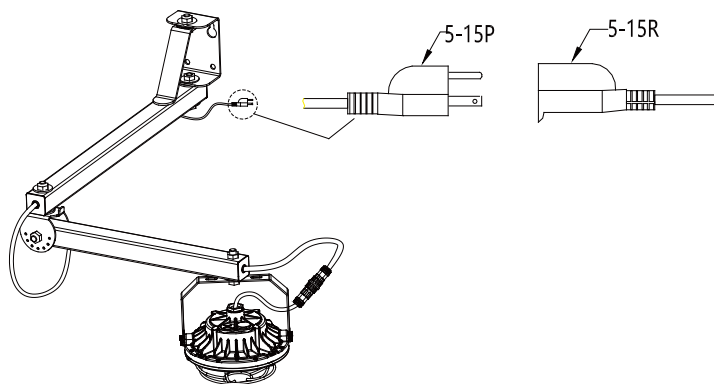
1. To avoid possibility of electrical shock or fire, the installation personnel must have professional electric knowledge.
2. Please wear gloves to avoid injury before installation.
3. If any smoke or spark of the wire happened. Please turn off the power immediately and notify relevant personnel.

Attention:

1. Please check if there is any damage during shipping. If so, please contact manufacturer timely.
2. Please read the installation instruction carefully to check whether all the accessories are complete. After confirmation, install the fixture according to installation steps.
3. It can not be mounted over outlet box.

Wiring Diagram & Instruction:

The wiring is in accordance with figure 1, the lamp is equipped with 5-15P(AC 125V) plug, it needs to be matched with 5-15R receptacle.



Installation Methods:

1. Use a chalk or sharp tool to mark signs on the top of the ceiling, then drill holes on the signs by electric drill (Figure 1).
2. Use a hammer to put the expansion screws into the holes (Figure 2).
3. The holes on the bracket should be aligned with the expansion screws, then push the fixture to one side (Figure 2).
4. Tighten the nut of the screws (Figure 3).
5. Wiring according to the instructions on the first and second pages.
6. After installation, please wire in accordance with local wiring standard, and make sure to take good waterproof measures at the joint of conduit.

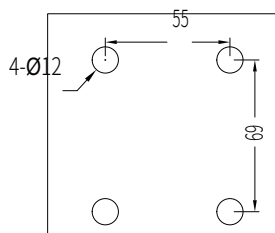


Figure 1

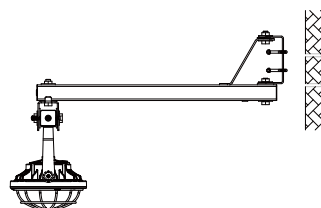


Figure 2

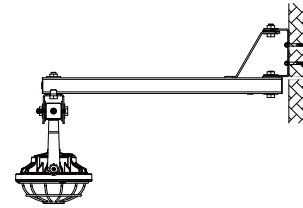


Figure 3

The method of rotating bracket

1. The irradiation angle can be adjusted in multiple directions and angles to meet the irradiation requirements of the site (Figure 4)

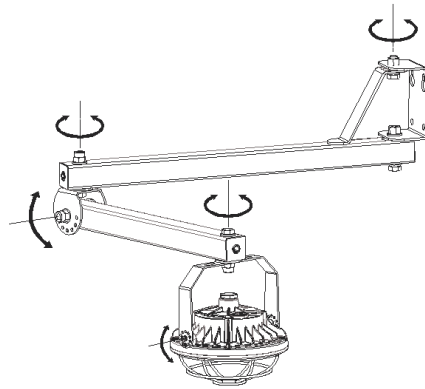


Figure 4

2. Adjustment of vertical square of rotating bracket:

Step 1: Unscrew the hand twist screw from the fixture (Figure 5);

Step 2: Adjust the vertical bracket to the desired angle (Figure 6);

Step 3: Install the hand twist screw.

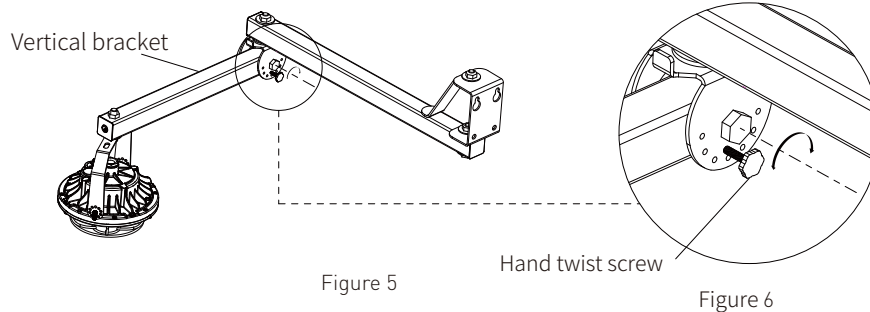


Figure 5

Figure 6

MIN 75°C SUPPLY CONDUCTORS.
THIS PRODUCT MUST BE INSTALLED IN ACCORDANCE WITH THE
APPLICABLE INSTALLATION CODE BY A PERSON FAMILIAR WITH THE
CONSTRUCTION AND OPERATION OF THE PRODUCT AND THE
HAZARDS INVOLVED.

LES FILS D'ALIMENTATION 75°C MIN.
CE PRODUIT DOIT ÊTRE INSTALLÉ SELON LE CODE D'INSTALLATION
PERTINENT PAR UNE PERSONNE QUI CONNAÎT BIEN LE PRODUIT ET
SON FONCTIONNEMENT
AINSI QUE LES RISQUES INHÉRENTS