

■ Product Pictures



- Lumileds LED, high luminous efficiency and long working life.
- High efficiency LED Driver, the wide range input voltage AC120-277V.
- Die cast aluminium cooling design, high quality and better cooling for LED $T_j < 85^\circ\text{C}$.
- Excellent Optics design, greatly improve the light utilization and evenness, glass material.
- Photocell Control Available (Option)

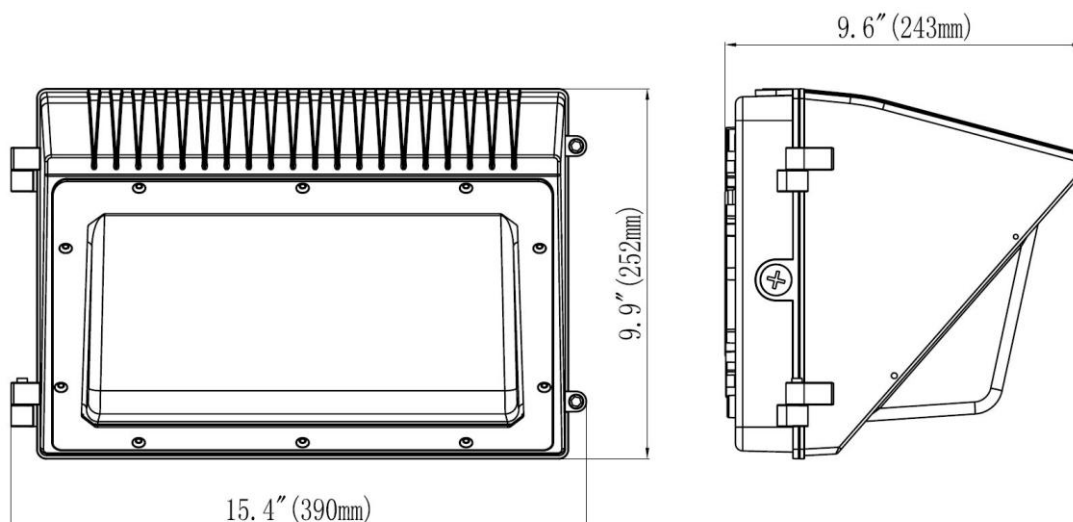


■ Product Applications

ECOMAX LED GLASS WALL PACK Lighting series can be widely used in indoor or outdoor lighting (Wet location), like mechanical or electronic processing workshops, storage warehouses, steel mills, gas stations, toll booth, waiting rooms, the platforms of railway station,

■ Structure Features

- Shell materials: Aluminum & GLASS .
- Finish: Dark Bronze
- Net weight: 10.40 lbs (4.70kg) Unit: inch(mm)
- Packing Size: 17.70*12.40*12.20' (450*315*31mm)



■ Technical Parameters:

Type	WSD-GWP07W27-50K		
Power	75W	Lighting Angle	90*120°
Input Voltage	AC120-277V	LED Brightness Decay	<5%/6000 hrs
PF	>0.95	Working Life	>50000 hrs
Driver Efficiency	>90%	Working Temperature	-22F - +113F
Luminous Flux	8120 Lm	Storage Temperature	-40F - +176F
Color Temperature	5000K	Protection Level	Wet Location/IP65
CRI	Ra>80	Cable	Input Connect, No cable

■ Light Distribution Curve (Clear Lens)

