



NAME: LED SPORT LIGHT

P/N: SUN-SP01-750WMHT2B1-**acd**

The letter "a" can be can be 2 letters represent lamp colors; "BH = Black、WH=White、BR=Brown or Customized"

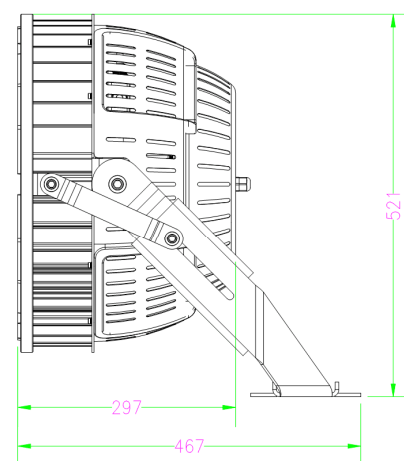
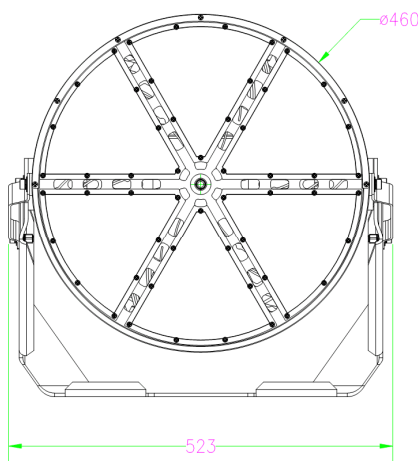
The letter "c" can be "S" or blank to represent Surge protector or None Surge protector;

The letter "d" can be any two-digit number to represent CCT, "40=4000K、45=4500K、50=5000K、57=5700K"

The letter "T" can be T2= 15 Degrees,

### Advantage:

- UL cUL DLC certificate
- Input voltage 100-277Vac
- No UV or IR in the beam
- Easy to install and operate
- Energy saving, long lifespan
- Instant start, NO flickering, NO humming
- Green and eco-friendly without mercury
- Output constant current lever can be adjusted through output cable with 1-10V.



### Application:

- ◆ Gymnasium;
- ◆ Square plaza;
- ◆ Shipyard, Airport ,wharf;
- ◆ High mast and Contour lighting, etc.

#### Product Specifications

Product name	LED Sport Light
Part No	SUN-SP01-600WMHT2B1-acd
Dimension	523*467*521 mm

#### Technical Characteristic

Color temperature	4000K	4500K	5000K	5700K
CRI	>70			
Lumen	75000-90000LM			
Input Power	600W			
Lumen Efficacy	125-145 LM/W			
Beam Angle(50%)	15°			
Field Angle(10%)	35°(NEMA: 3)			
Input Voltage	100-277Vac 50/60Hz			
Driver Brand	Mean Well HLG-320H-48B			
PF	>0.9			
Waterproof Rating	WET(IP65)			
EPA	2.5ft <sup>2</sup>			

#### Materials

LED Brand	OSRAM
LED Type	SMD 3737
LED QTY	270 PCS
Housing	Aluminum
Housing color	Black / Brown/white/Customized
Cover	LENS

#### Others

Operating Temperature	-40°C TO 45°C
Operating Humidity	10% RH -90% RH
Storage Temperature	-40°C TO 80°C
Storage Humidity	10% RH -90% RH
Application	Outdoor
Safety Certification	UL
Warranty Time	5 Years

#### Light Distribution Testing Parameters

### Luminaire Property

Luminaire Manufacturer:  
Voltage: 121.0 V  
Power: 610.65 W

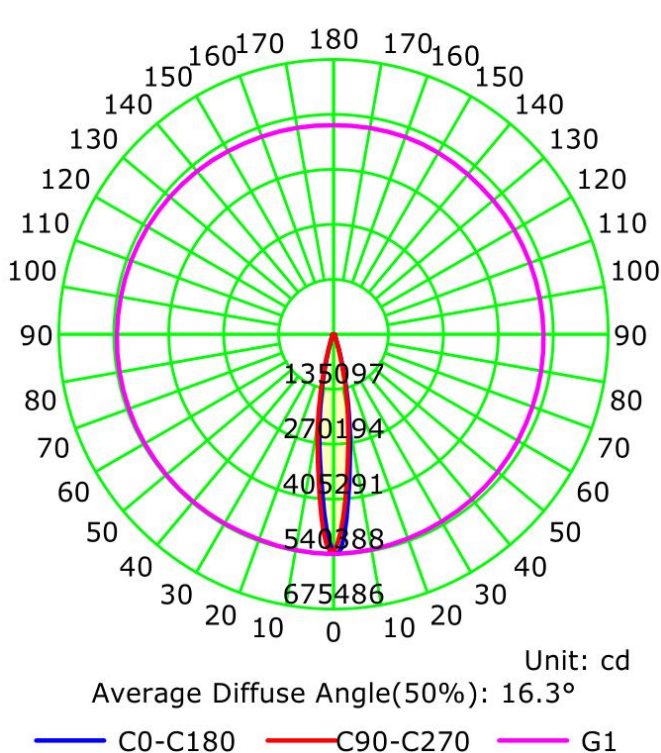
Current: 5.0989 A  
Power Factor: 0.998

### Photometric Results

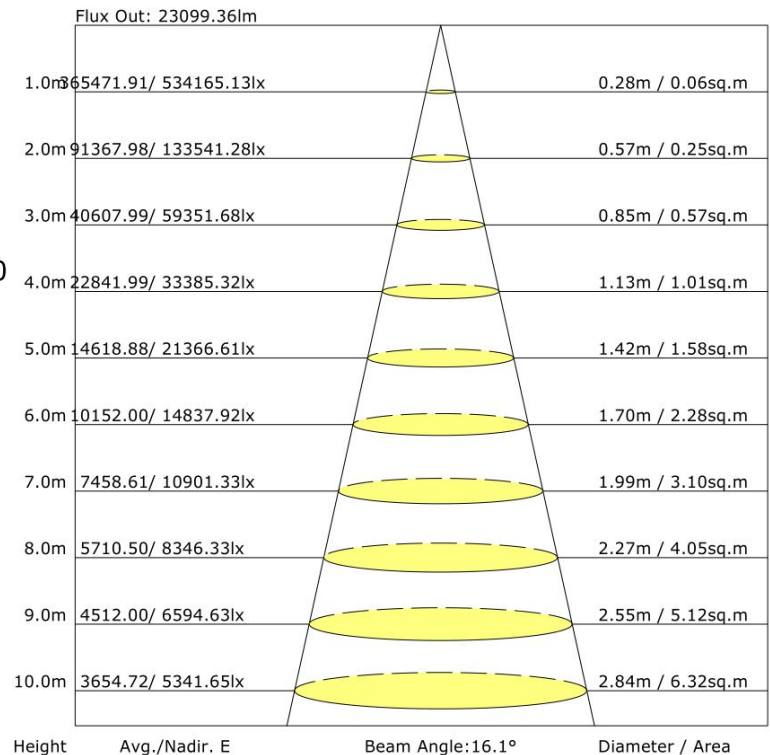
IES Classification: Type I  
Total Rated Lamp Lumens: 87268.0 lm  
Efficiency: 100%  
Upward Ratio: 0%  
Central Intensity: 534165.13 cd  
Pos of Max. Intensity: H0 V1

Longitudinal Classification: Very Short  
Measurement Flux: 87268 lm  
Downward Ratio: 100%  
Luminaire Efficacy Rating (LER): 142.91  
Max. Intensity: 540388.94 cd

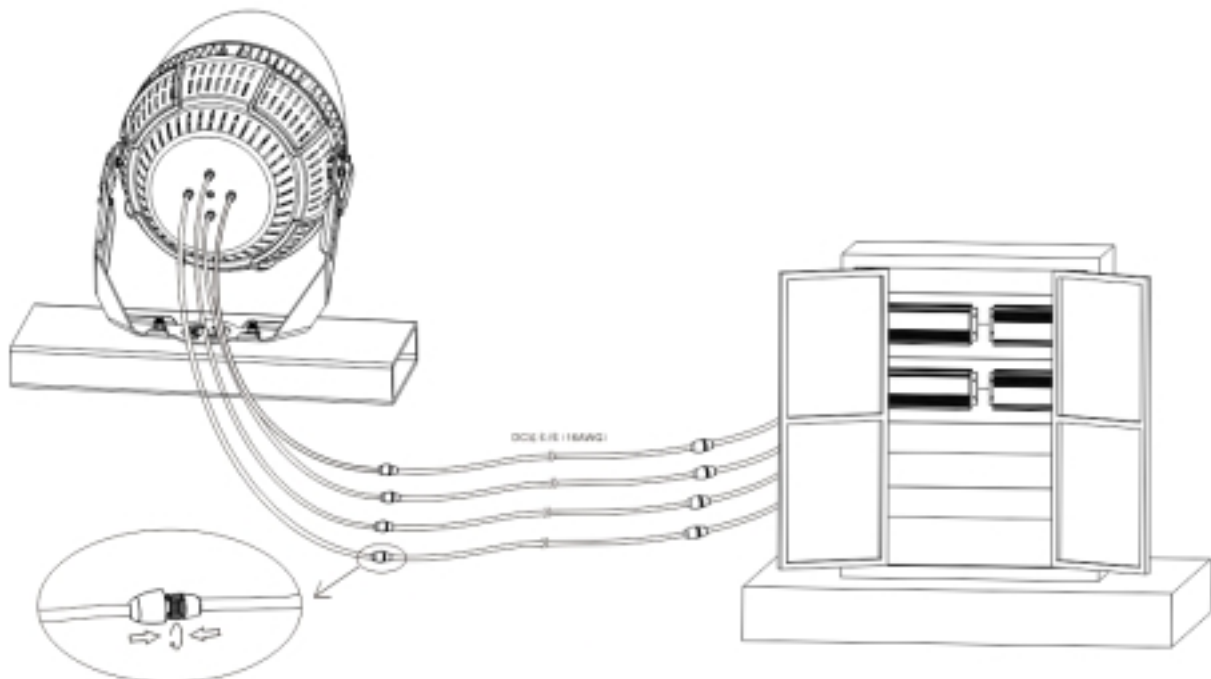
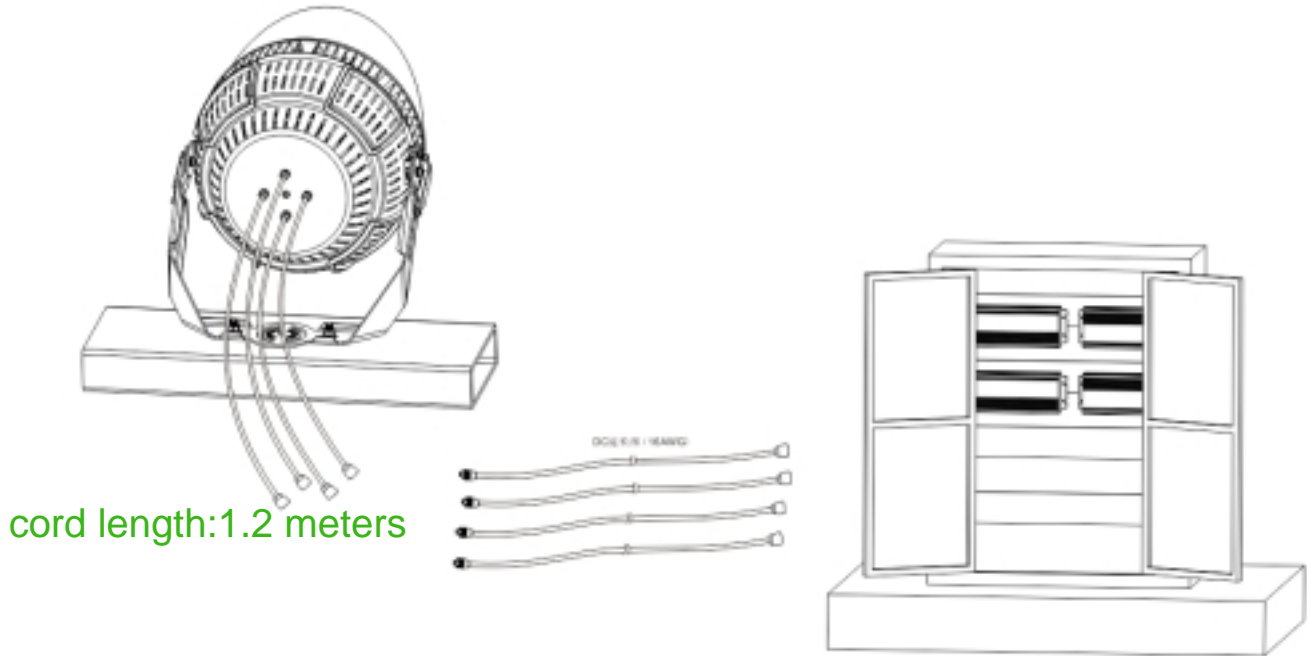
Luminous Intensity Distribution Curve



The Average Illuminance Effective Figure



#### Installation Guide



14 AWG should be used for AC100-277V

16 AWG for AC200-480V