



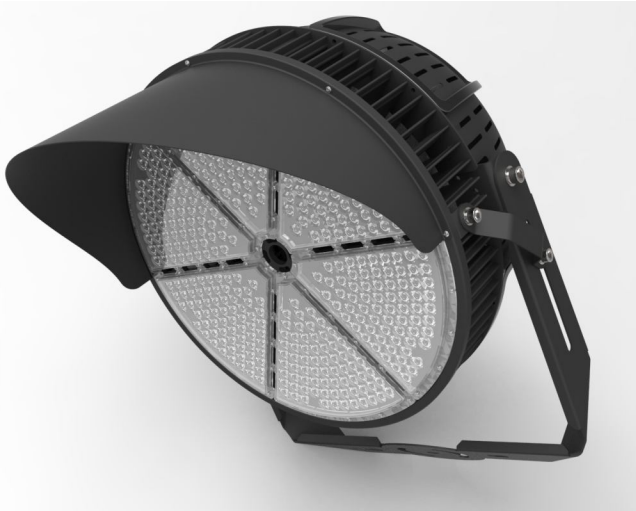
NAME: LED SPORT LIGHT

P/N: SUN-SP01-600WEXYH1-**abcd**

The letter "X" in P/N stands for LED manufactory, B means LUMILEDS 3030, H means OSRAM 3737;

The letter "Y" can be "T1" to "T9"

T2= 15 Degrees,



The letter "a" can be can be 2 letters represent lamp colors; "BH = Black、WH=White、BR=Brown or Customized"

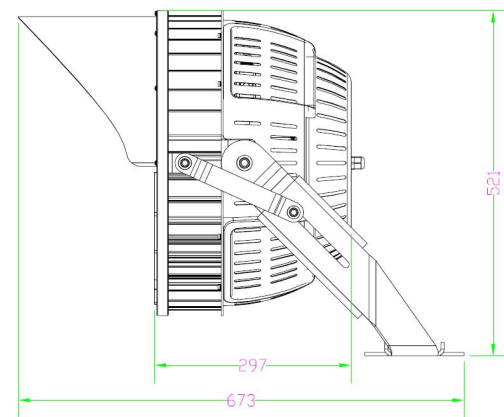
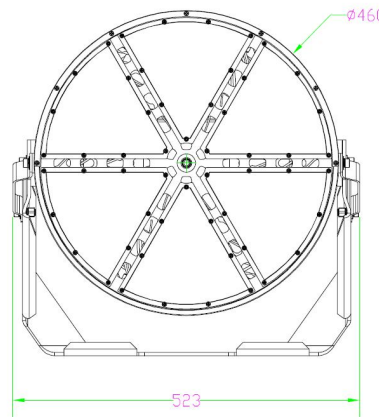
The letter "b" can be "C" for Frontcover provided or blank for no Frontcover provided;

The letter "c" can be "S" or blank to represent Surge protector or None Surge protector;

The letter "d" can be any two-digit number to represent CCT. d=27~65, for2700k~6500k

#### Advantage:

- UL cUL certificate
- Input voltage 277-480Vac
- No UV or IR in the beam
- Easy to install and operate
- Energy saving, long lifespan
- Instant start, NO flickering, NO humming
- Green and eco-friendly without mercury
- Output constant current lever can be adjusted through output cable with 1-10V.



#### Application:

- ◆ Gymnasium;
- ◆ Square plaza;
- ◆ Shipyard, Airport ,wharf;
- ◆ High mast and Contour lighting, etc.

#### Product Specifications

Product name	LED Sport Light
Part No	SUN-SP01-600WEXYH1-abcd
Dimension	673*523*521 mm

#### Technical Characteristic

Color temperature	2700-6500k
CRI	>70
Lumen	75000-93000LM
Input Power	600W
Lumen Efficacy	125-155 LM/W
Beam Angle(50%)	15°
Field Angle(10%)	35°(NEMA: 3)
Input Voltage	277-480Vac 50/60Hz
Driver Brand	INVENTRONICS ESD-600S420DT
PF	>0.9
Waterproof Rating	WET(IP65)
EPA	2.5ft <sup>2</sup>

#### Materials

LED Brand	OSRAM
LED Type	SMD 3737
LED QTY	270 PCS
Housing	Aluminum
Housing color	Black / Brown/white/Customized
Cover	LENS

#### Others

Operating Temperature	-40°C TO 45°C
Operating Humidity	10% RH -90% RH
Storage Temperature	-40°C TO 80°C
Storage Humidity	10% RH -90% RH
Application	Outdoor
Safety Certification	UL
Warranty Time	5 Years

### Light Distribution Testing Parameters

## Luminaire Property

Luminaire Manufacturer:

Voltage: 480.7 V

Power: 588.40 W

Current: 1.278 A

Power Factor: 0.958

## Photometric Results

IES Classification: Type I

Total Rated Lamp Lumens: 80697.1 lm

Efficiency: 100%

Upward Ratio: 0%

Central Intensity: 618831.315 cd

Pos of Max. Intensity: H0 V0

Longitudinal Classification: Very Short

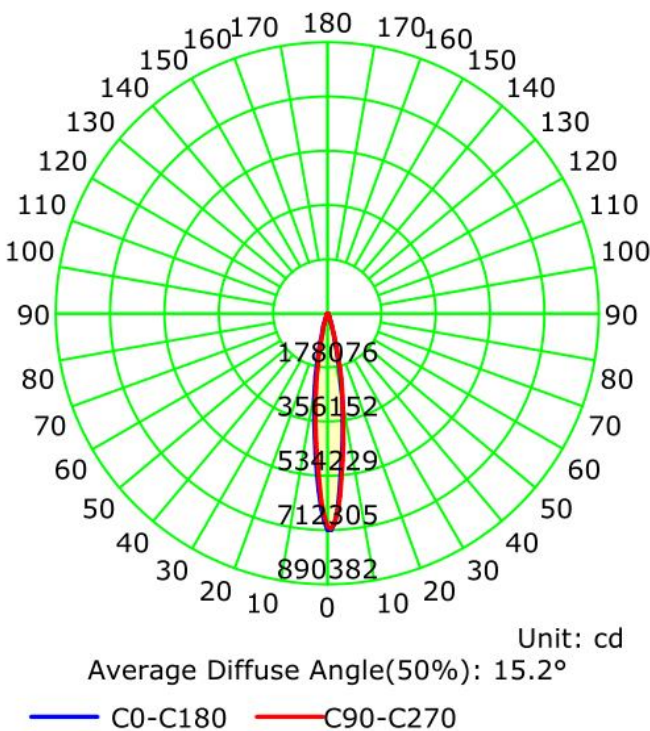
Measurement Flux: 80697.1 lm

Downward Ratio: 100%

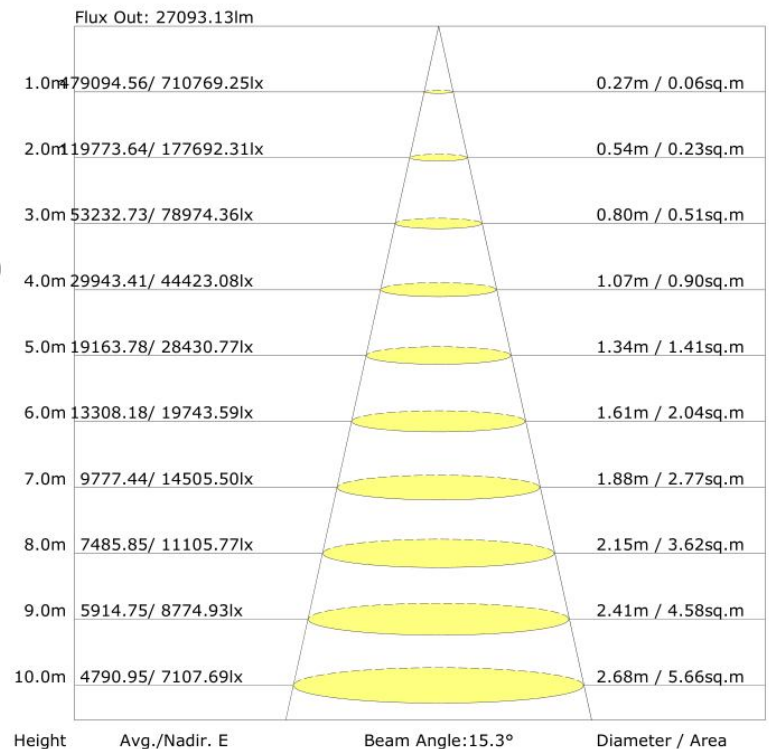
Luminaire Efficacy Rating (LER): 137.20

Max. Intensity: 618831.315 cd

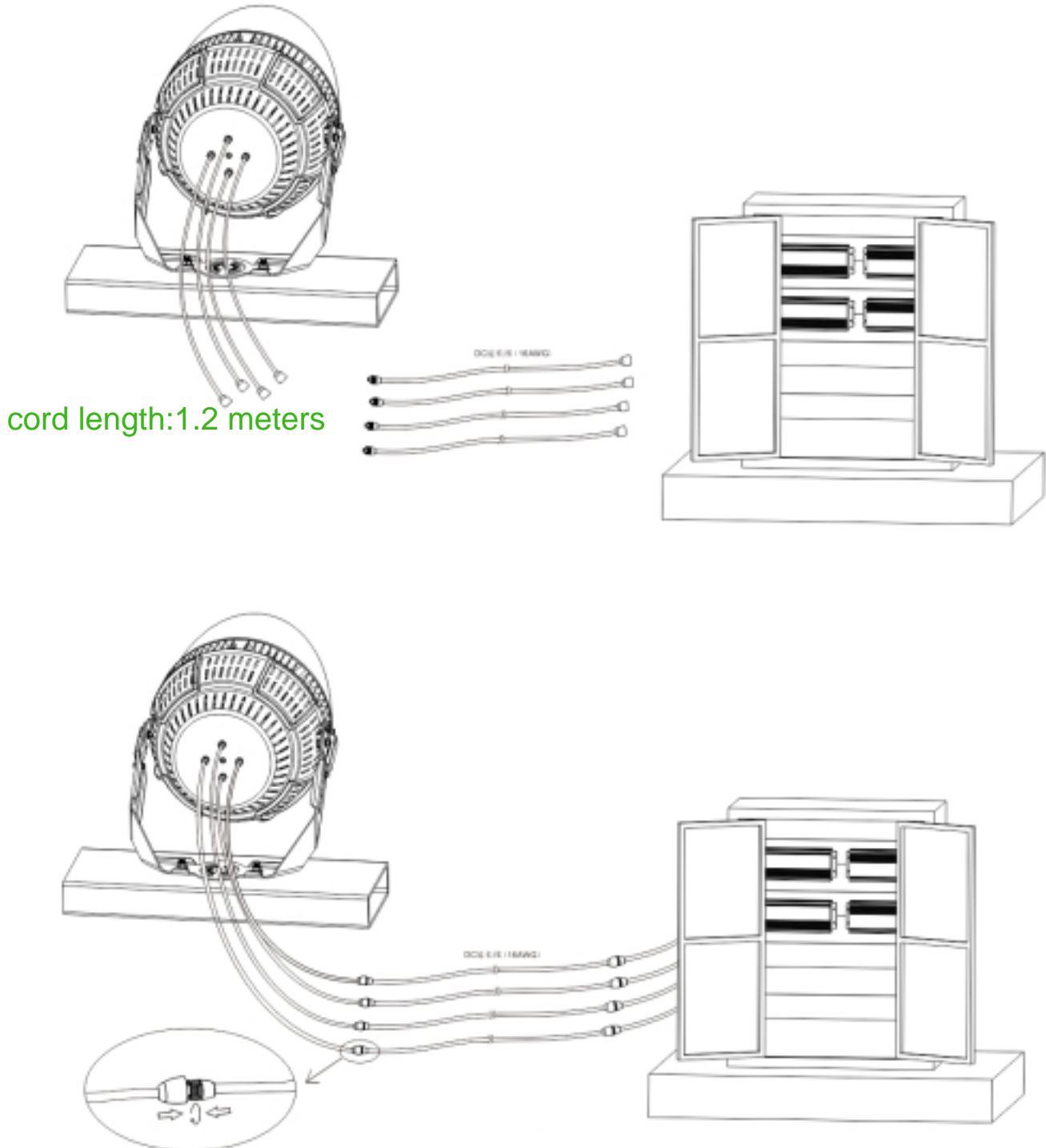
Luminous Intensity Distribution Curve



The Average Illuminance Effective Figure



### Installation Guide



14 AWG should be used for AC100-277V

16 AWG for AC200-480V