



NAME: LED SPORT LIGHT

P/N: SUN-SP01-500WMBT3B1-**acd**

The letter "a" can be can be 2 letters represent lamp colors; "BH = Black、WH=White、BR=Brown or Customized"

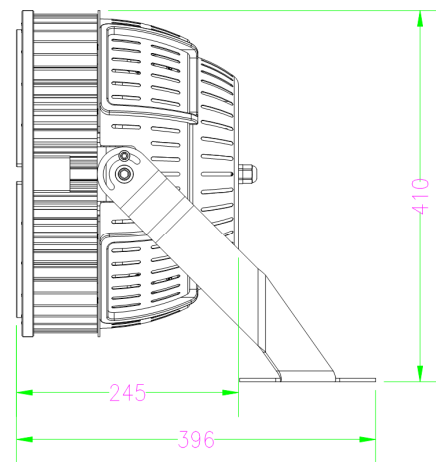
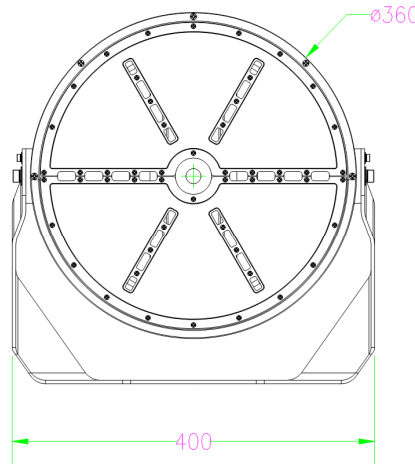
The letter "c" can be "S" or blank to represent Surge protector or None Surge protector;

The letter "d" can be any two-digit number to represent CCT, "40=4000K、50=5000K、57=5700K"

The letter "T" can be T3= 30 Degrees, T4= 40 Degrees, T12= 120 Degrees

### Advantage:

- UL cUL DLC certificate
- Input voltage 100-277Vac
- No UV or IR in the beam
- Easy to install and operate
- Energy saving, long lifespan
- Instant start, NO flickering, NO humming
- Green and eco-friendly without mercury
- Output constant current lever can be adjusted through output cable with 1-10V.



### Application:

- ◆ Gymnasium;
- ◆ Square plaza;
- ◆ Shipyard, Airport ,wharf;
- ◆ High mast and Contour lighting, etc.

### Product Specifications

Product name	LED Sport Light
Part No	SUN-SP01-500WMBT3B1-acd
Dimension	400*396*410mm

### Technical Characteristic

Color temperature	4000K	5000K	5700K
CRI	>70		
Lumen	62500-72500LM		
Input Power	500W		
Lumen Efficacy	125-145 LM/W		
Beam Angle(50%)	30°		
Field Angle(10%)	60°(NEMA:4)		
Input Voltage	100-277Vac 50/60Hz		
Driver Model	Mean Well HLG-240H-48B		
PF	>0.9		
Waterproof Rating	WET(IP65)		
EPA	1.49ft <sup>2</sup>		

### Materials

LED Brand	LUMILEDS
LED Type	SMD 3030
LED QTY	504 PCS
Housing	Aluminum
Housing color	Black / Brown/white/Customized
Cover	LENS

### Others

Operating Temperature	-40°C TO 45°C
Operating Humidity	10% RH -90% RH
Storage Temperature	-40°C TO 80°C
Storage Humidity	10% RH -90% RH
Application	Outdoor
Safety Certification	UL
Warranty Time	5 Years

#### Light Distribution Testing Parameters

### Luminaire Property

Luminaire Manufacturer:  
Voltage: 120.6 V  
Power: 511.35 W

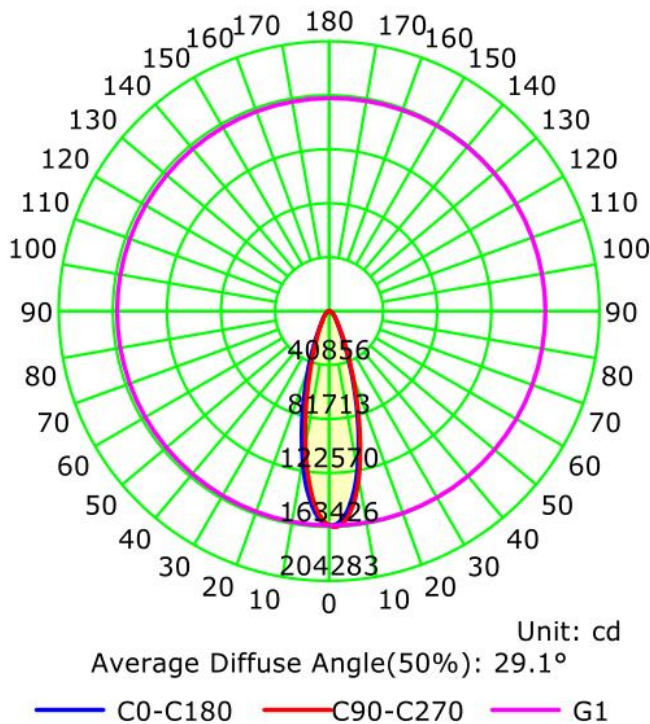
Current: 4.2779 A  
Power Factor: 0.9961

### Photometric Results

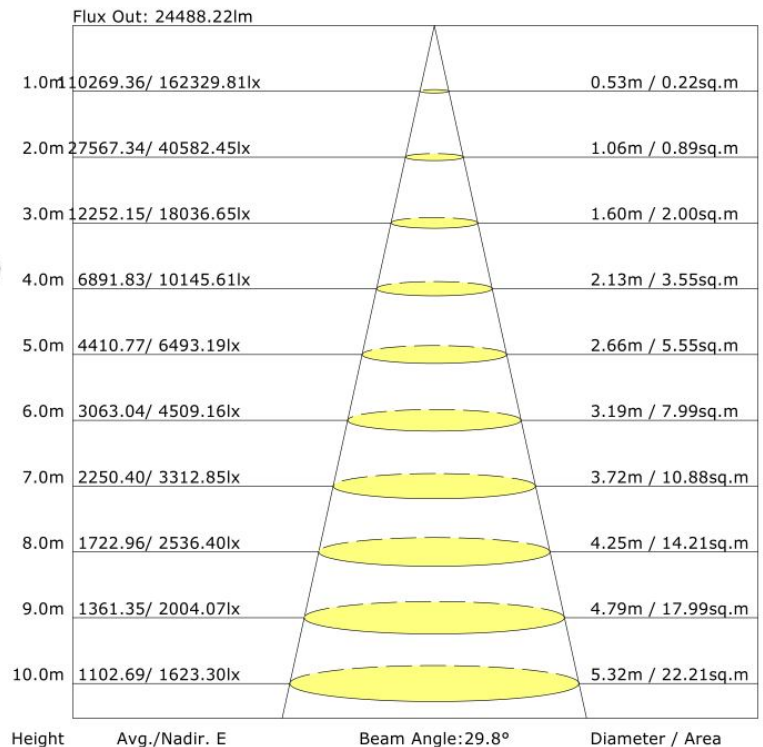
IES Classification: Type I  
Total Rated Lamp Lumens: 65067.9 lm  
Efficiency: 100%  
Upward Ratio: 0%  
Central Intensity: 162329.81 cd  
Pos of Max. Intensity: H90 V1

Longitudinal Classification: Very Short  
Measurement Flux: 65067.9 lm  
Downward Ratio: 100%  
Luminaire Efficacy Rating (LER): 127.25  
Max. Intensity: 163426.83 cd

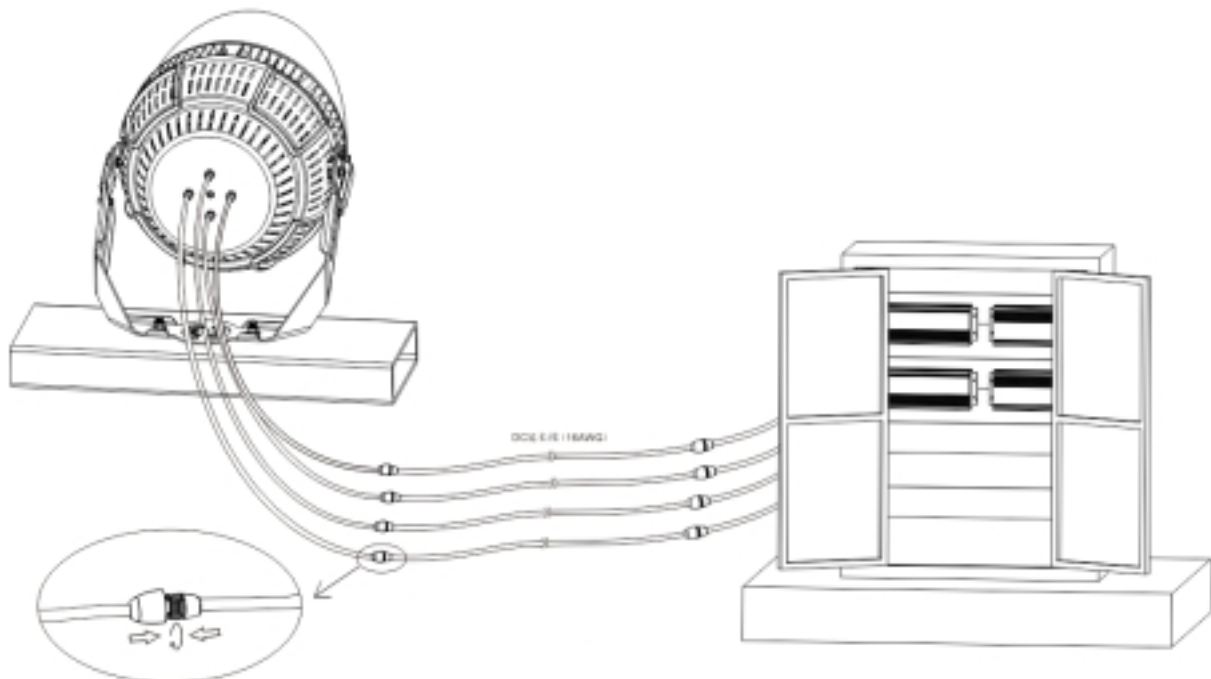
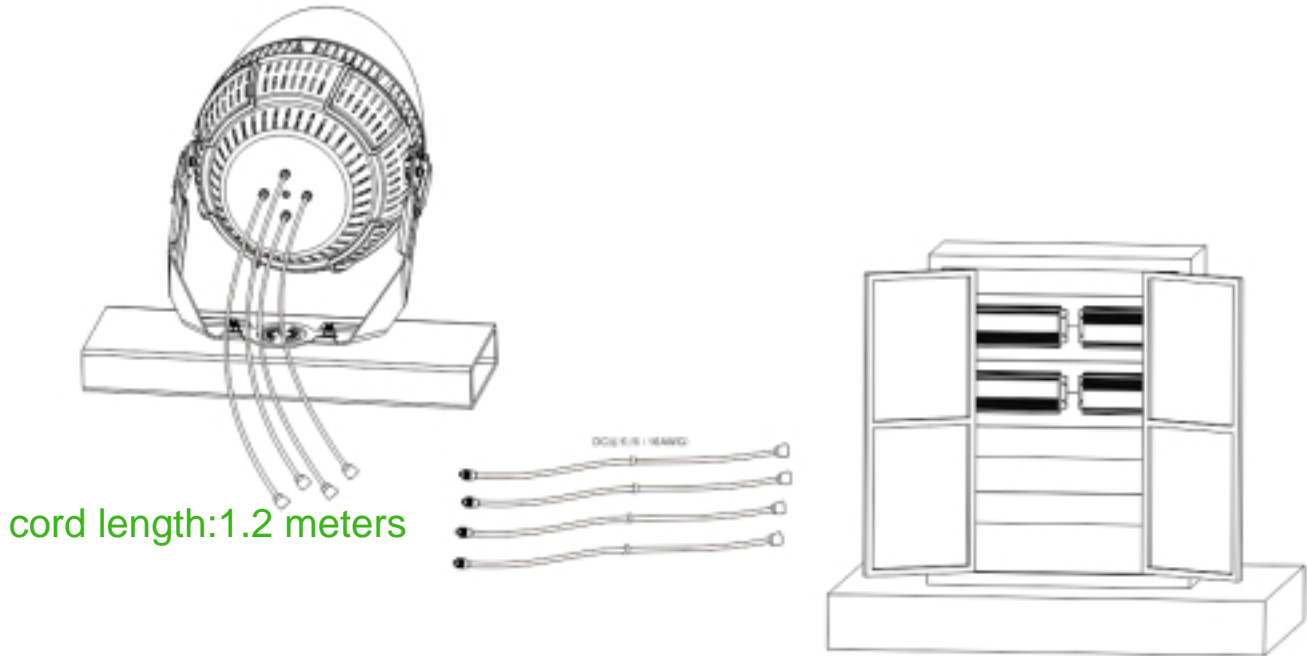
Luminous Intensity Distribution Curve



The Average Illuminance Effective Figure



### Installation Guide



14 AWG should be used for AC100-277V

16 AWG for AC200-480V