



NAME: LED SPOT LIGHT

P/N: SUN-SP01-1200WMHT1B1-**acd**

The letter "a" can be can be 2 letters represent lamp colors; "BH = Black、WH=White、BR=Brown or Customized"

The letter "c" can be "S" or blank to represent Surge protector or None Surge protector;

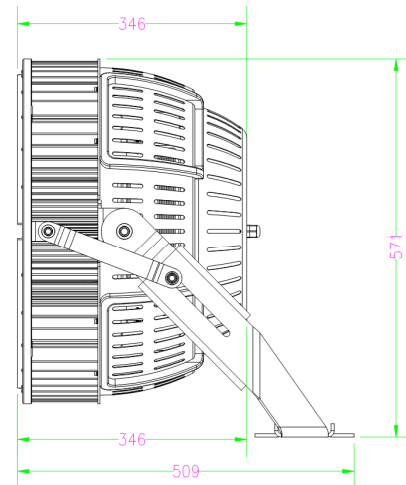
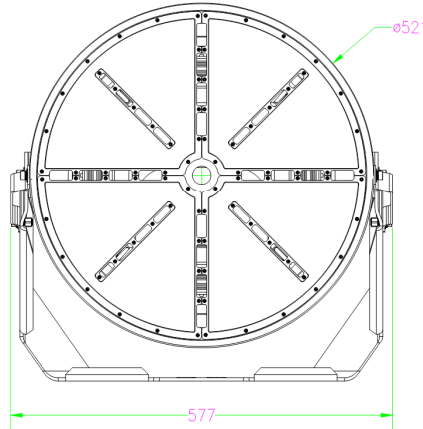
The letter "d" can be any two-digit number to represent CCT, "40=4000K、45=4500K、50=5000K、57=5700K"

The letter "T" can be T1= 12 Degrees,
T3= 30 Degrees, T4= 40 Degrees, T5=45 Degrees,
T6= 60 Degrees,



Advantage:

- UL cUL DLC certificate
- Input voltage 100-277Vac
- No UV or IR in the beam
- Easy to install and operate
- Energy saving, long lifespan
- Instant start, NO flickering, NO humming
- Green and eco-friendly without mercury
- Output constant current lever can be adjusted through output cable with 1-10V.



Application:

- ◆ Gymnasium;
- ◆ Square plaza;
- ◆ Shipyard, Airport ,wharf;
- ◆ High mast and Contour lighting, etc.

Product Specifications

| | |
|--------------|--------------------------|
| Product name | LED Sport Light |
| Part No | SUN-SP01-1200WMHT1B1-acd |
| Dimension | 577*509*571 mm |

Technical Characteristic

| Color temperature | 4000K | 4500K | 5000K | 5700K |
|-------------------|------------------------|-------|-------|-------|
| CRI | >70 | | | |
| Lumen | 150000-174000LM | | | |
| Input Power | 1200W | | | |
| Lumen Efficacy | 125-145 LM/W | | | |
| Beam Angle(50%) | 12° | | | |
| Field Angle(10%) | 29°(NEMA: 2/ NEMA: 3) | | | |
| Input Voltage | 100-277Vac 50/60Hz | | | |
| Driver Model | Mean Well HLG-320H-48B | | | |
| PF | >0.9 | | | |
| Waterproof Rating | WET(IP65) | | | |
| EPA | 3.14ft ² | | | |

Materials

| | |
|---------------|--------------------------------|
| LED Brand | OSRAM |
| LED Type | SMD 3737 |
| LED QTY | 512 PCS |
| Housing | Aluminum |
| Housing color | Black / Brown/white/Customized |
| Cover | LENS |

Others

| | |
|-----------------------|----------------|
| Operating Temperature | -40°C TO 45°C |
| Operating Humidity | 10% RH -90% RH |
| Storage Temperature | -40°C TO 80°C |
| Storage Humidity | 10% RH -90% RH |
| Application | Outdoor |
| Safety Certification | UL |
| Warranty Time | 5 Years |

Light Distribution Testing Parameters

Luminaire Property

Luminaire Manufacturer:
Voltage: 120.9 V
Power: 1244.83 W

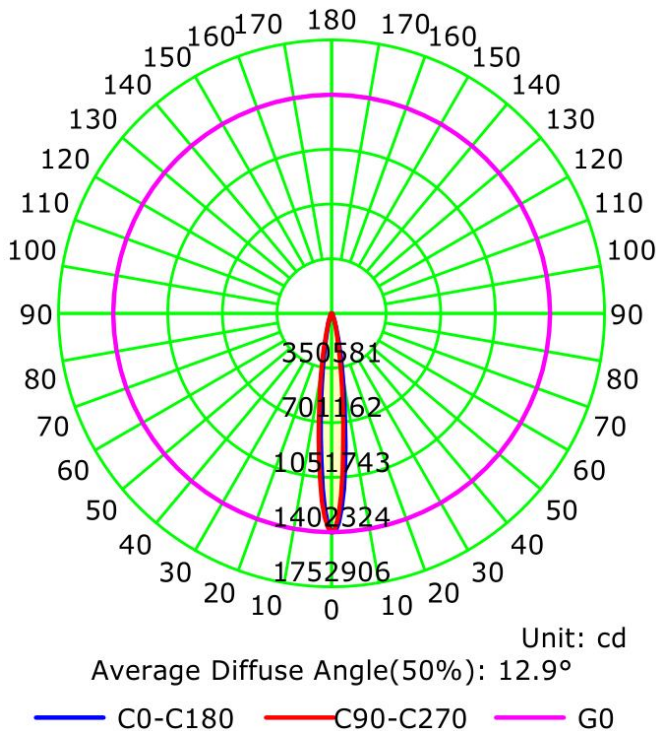
Current: 10.3944 A
Power Factor: 0.998

Photometric Results

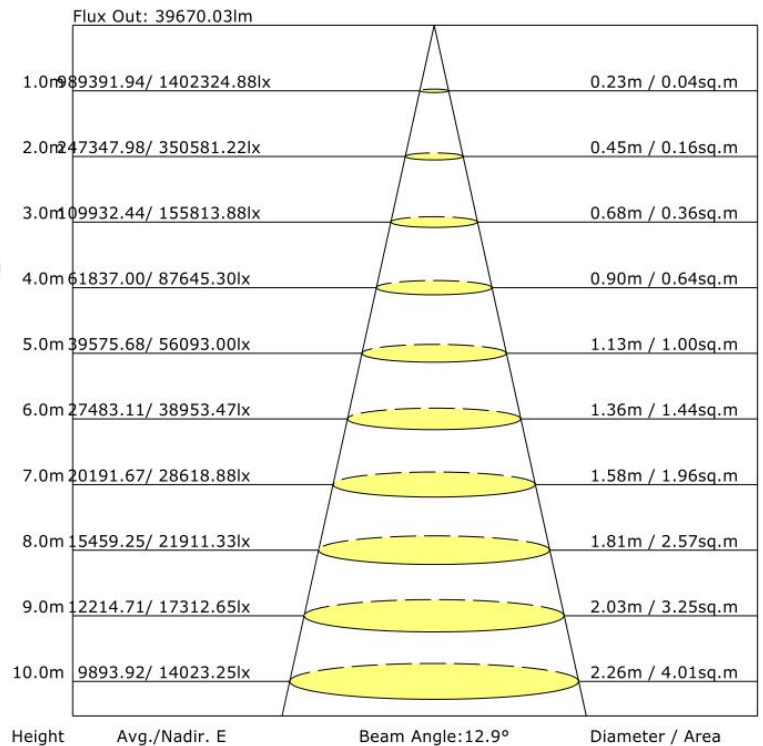
IES Classification: Type I
Total Rated Lamp Lumens: 161549.0 lm
Efficiency: 100%
Upward Ratio: 0%
Central Intensity: 1402324.88 cd
Pos of Max. Intensity: H0 V0

Longitudinal Classification: Very Short
Measurement Flux: 161549 lm
Downward Ratio: 100%
Luminaire Efficacy Rating (LER): 129.78
Max. Intensity: 1402324.88 cd

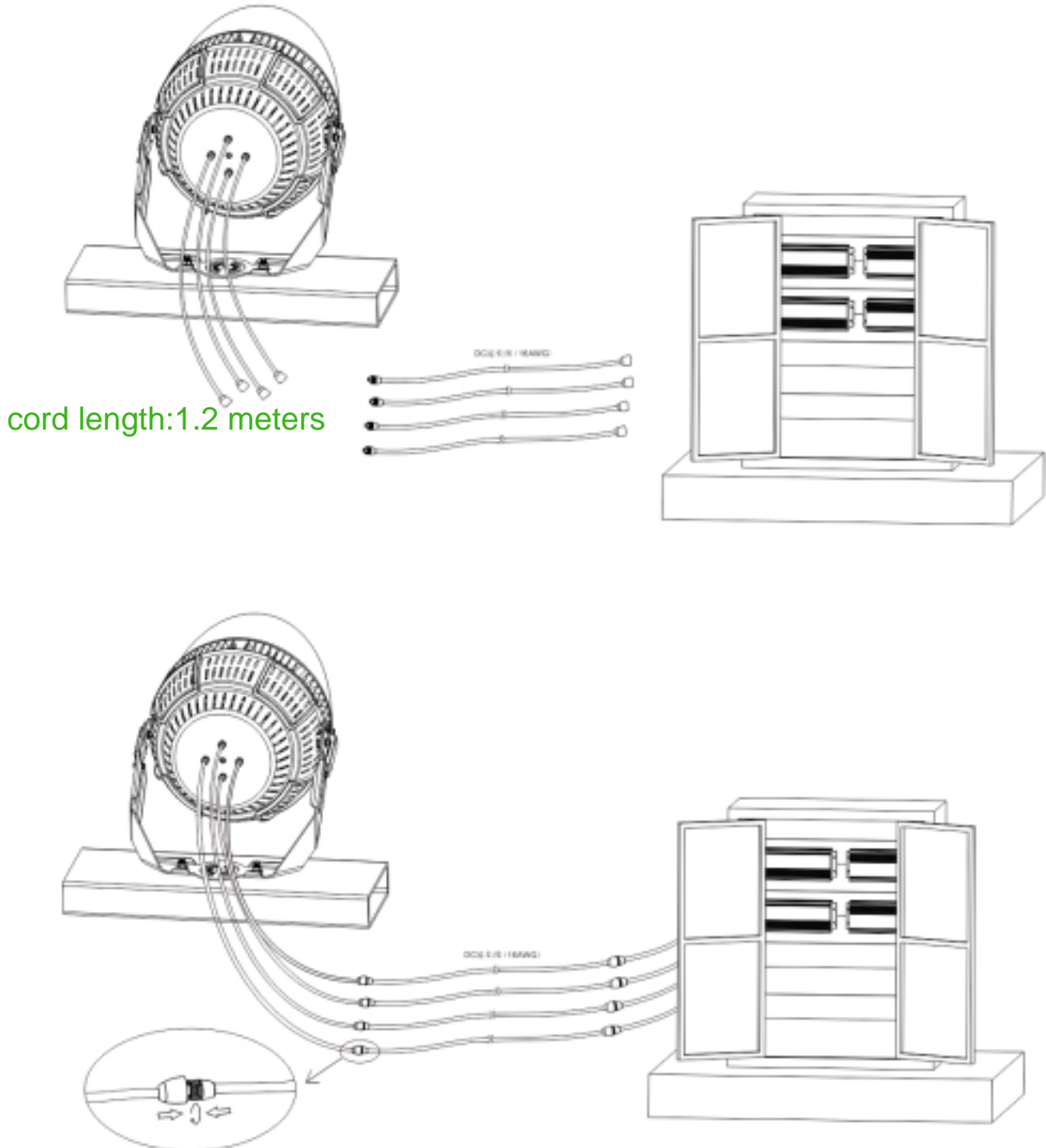
Luminous Intensity Distribution Curve



The Average Illuminance Effective Figure



Installation Guide



14 AWG should be used for AC100-277V

16 AWG for AC200-480V