

NAME: LED SPORT LIGHT

P/N: SUN-SP01-1200WEXYH1-**abcd**

The letter "X" in P/N stands for LED manufactory, B means LUMILEDS 3030, H means OSRAM 3737;  
The letter "Y" can be "T1" to "T9"

T1= 12 Degrees,

T3= 30 Degrees, T4= 40 Degrees, T5=45 Degrees,

T6= 60 Degrees,

The letter "a" can be can be 2 letters represent lamp colors; "BH = Black、WH=White、BR=Brown or Customized"

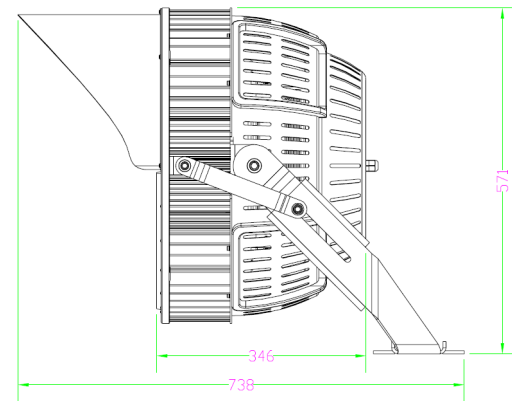
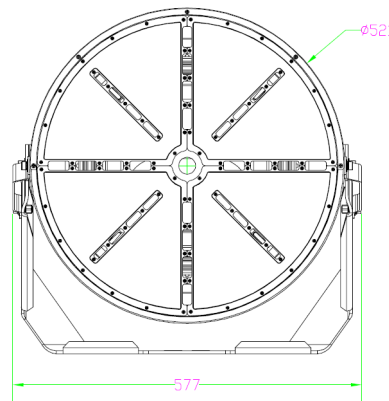
The letter "b" can be "C" for Frontcover provided or blank for no Frontcover provided;

The letter "c" can be "S" or blank to represent Surge protector or None Surge protector;

The letter "d" can be any two-digit number to represent CCT. d=27~65, for2700k~6500k

#### Advantage:

- UL cUL certificate
- Input voltage 277-480Vac
- No UV or IR in the beam
- Easy to install and operate
- Energy saving, long lifespan
- Instant start, NO flickering, NO humming
- Green and eco-friendly without mercury
- Output constant current lever can be adjusted through output cable with 1-10V



#### Application:

- ◆ Gymnasium;
- ◆ Square plaza;
- ◆ Shipyard, Airport ,wharf;
- ◆ High mast and Contour lighting, etc.

#### Product Specifications

Product name	LED Sport Light
Part No	SUN-SP01-1200WEXYH1-abcd
Dimension	738*577*571 mm

#### Technical Characteristic

Color temperature	2700-6500k
CRI	>70
Lumen	150000-186000LM
Input Power	1200W
Lumen Efficacy	125-155 LM/W
Beam Angle(50%)	12°
Field Angle(10%)	29°(NEMA: 2/ NEMA: 3)
Input Voltage	277-480Vac 50/60Hz
Driver Brand	INVENTRONICS EFD-1K2S740DT
PF	>0.9
Waterproof Rating	WET(IP65)
EPA	3.14ft <sup>2</sup>

#### Materials

LED Brand	OSRAM
LED Type	SMD 3737
LED QTY	512 PCS
Housing	Aluminum
Housing color	Black / Brown/white/Customized
Cover	LENS

#### Others

Operating Temperature	-40°C TO 45°C
Operating Humidity	10% RH -90% RH
Storage Temperature	-40°C TO 80°C
Storage Humidity	10% RH -90% RH
Application	Outdoor
Safety Certification	UL
Warranty Time	5 Years

### Light Distribution Testing Parameters

## Luminaire Property

Luminaire Manufacturer:  
Voltage: 480.4 V  
Power: 1186.83 W

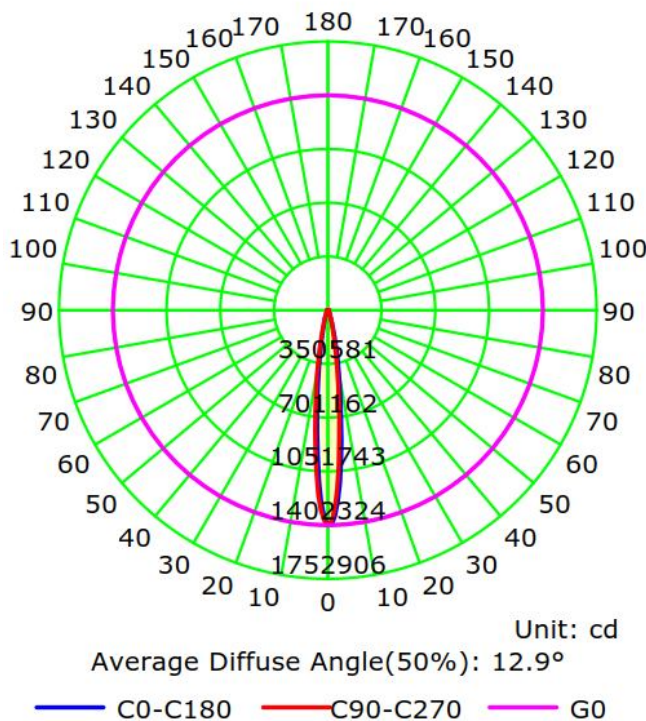
Current: 2.5684 A  
Power Factor: 0.962

## Photometric Results

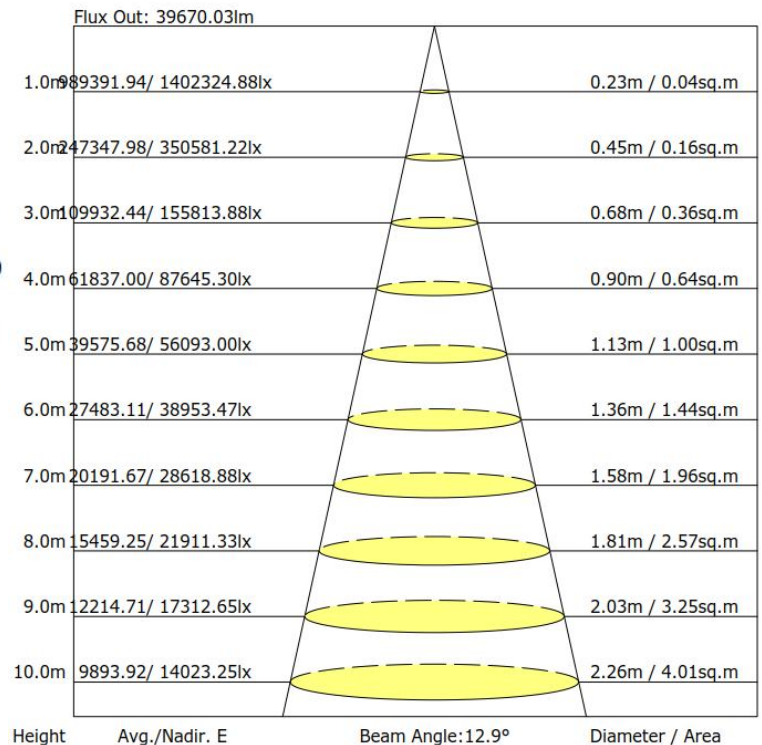
IES Classification: Type I  
Total Rated Lamp Lumens: 161751.0 lm  
Efficiency: 100%  
Upward Ratio: 0%  
Central Intensity: 1414324.58 cd  
Pos of Max. Intensity: H0 V0

Longitudinal Classification: Very Short  
Measurement Flux: 161751 lm  
Downward Ratio: 100%  
Luminaire Efficacy Rating (LER): 136.29  
Max. Intensity: 1414324.5 cd

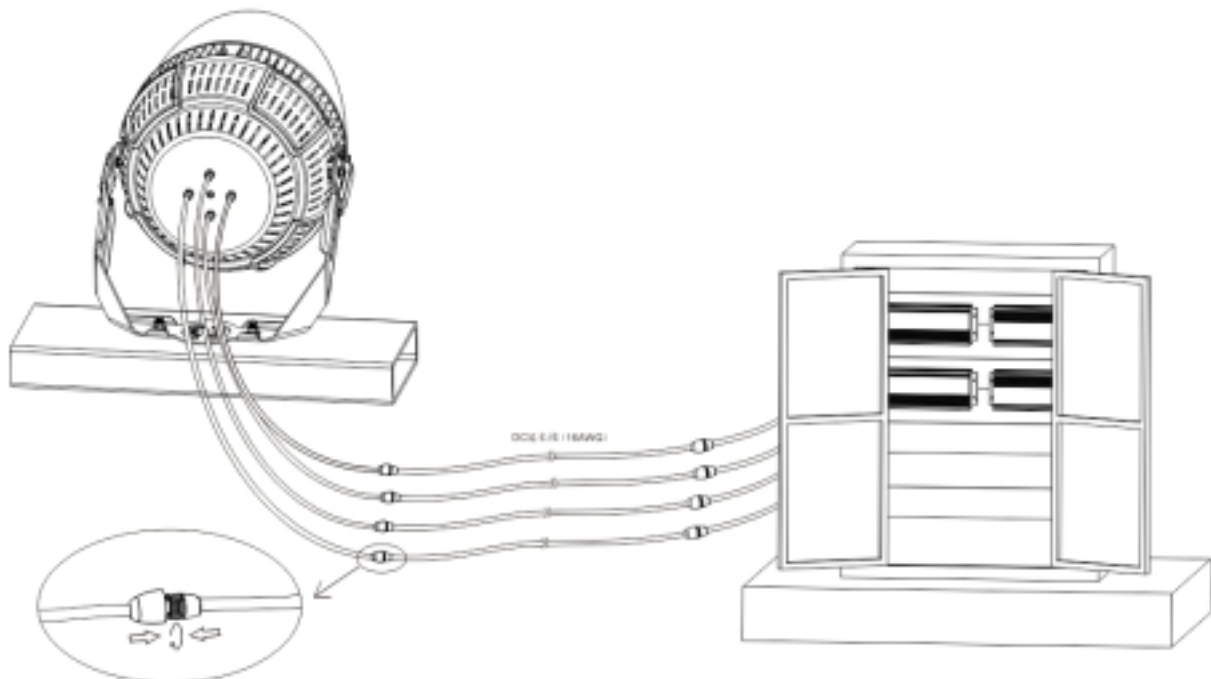
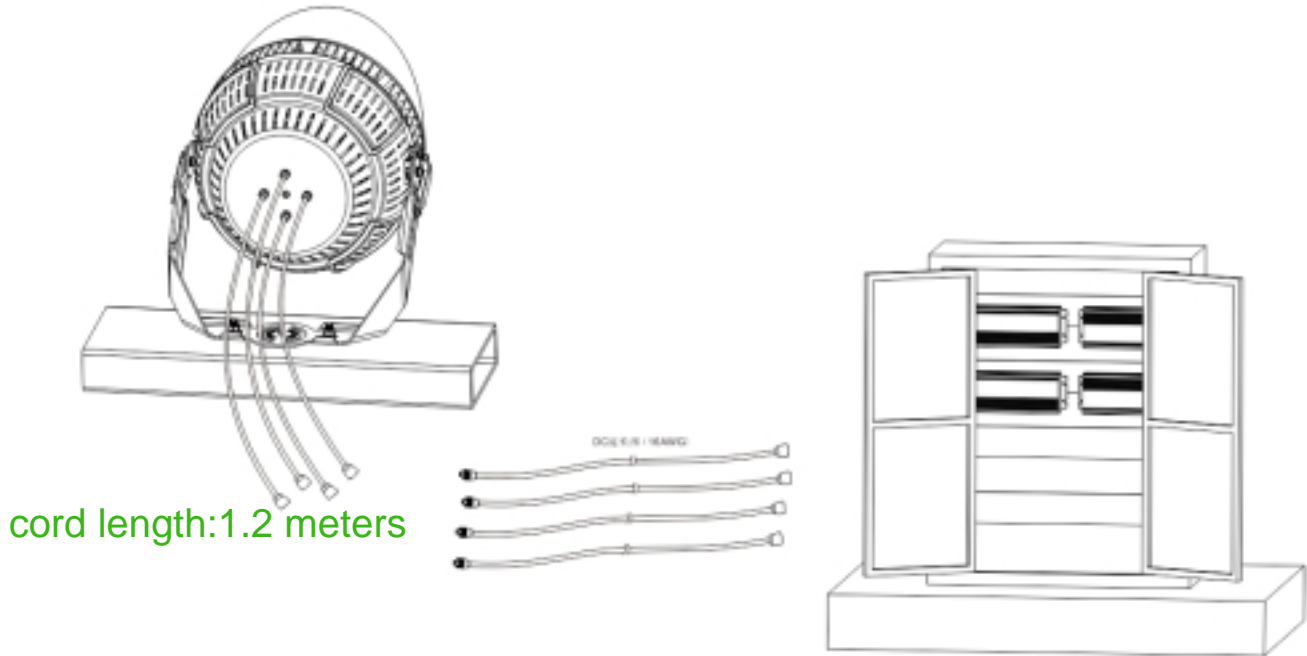
Luminous Intensity Distribution Curve



The Average Illuminance Effective Figure



### Installation Guide



14 AWG should be used for AC100-277V

16 AWG for AC200-480V