



Applications:

Facade, Wall Washing, Landscape lighting, Poster board lighting, Building lighting.

Features

- With sleek and stylish Lystle Pro series Flood Lights furnish energyefficient floodlighting soluitons with a widerange of NEMA optics
- One-piece construction.
- Rugged aluminum housing with UV resistant powder coat finish offers outstanding corrosion protection.
- Lumen ouput from 2900-24000lm with efficacy up to 127lm/W.
- Vented housing isolates LED module from driver maximizing product life and performance.
- Long lasting with lifespan 50,000 hrs.
- Fixtures are IP66 rated and suitable for use in ambients from -40 C to 45 C (-40 F ~ 113 F).
- UL wet location listed and DLC qualified



PERFORMANCE DATA

			4000K(70CRI)		5000K(70CRI)	
SYSTEM WATTS	Beam Angle	VOLTAGE	LUMENS	LPW	LUMENS	LPW
35W	107°	120-277VAC	3500lm	100 lm/W	3600lm	103 lm/W
45W	107°	120-277VAC	5300lm	113 lm/W	5300lm	113 lm/W
65W	107°	120-277VAC	7300lm	112 lm/W	7400lm	114 lm/W
70W	107°	120-277VAC	8800lm	126 lm/W	8900lm	127 lm/W
90W	107°	120-277VAC	10500lm	117 lm/W	11000lm	122 lm/W
110W	107°	120-277VAC	11800lm	107 lm/W	12500lm	124 lm/W
140W	7Hx6V	120-277VAC	16400lm	117 lm/W	16700lm	119 lm/W
200W	7Hx6V	120-277VAC	23400lm	117 lm/W	24000lm	120 lm/W
145W	7Hx6V	347/480VAC	16400lm	113 lm/W	16700lm	115 lm/W
205W	7Hx6V	347/480VAC	23400lm	114 lm/W	24000lm	117 lm/W

ELECTRICAL DATA

Number Of Drivers	Driver Current (mA)	Nominal Power (W)	INPUT VOLTAGE (V)	CURRENT (Amps)
1	840	35	120	0.29
		35	208	0.17
		35	240	0.15
		35	277	0.13
1	1100	45	120	0.38
		45	208	0.22
		45	240	0.19
		45	277	0.16
1	1750	65	120	0.54
		65	208	0.31
		65	277	0.23
1	1750	70	120	0.58
		70	208	0.34
		70	240	0.29
		70	277	0.25
2	2200	90	120	0.75
		90	208	0.43
		90	240	0.38
		90	277	0.32
1	2600	110	120	0.92
		110	208	0.53
		110	240	0.46
		110	277	0.40
2	3500	140	120	1.17
		140	208	0.67
		140	240	0.58
		140	277	0.51
		145	347	0.42
		145	480	0.30
2	5000	200	120	1.67
		200	208	0.96
		200	240	0.83
		200	277	0.72
		205	347	0.59
		205	480	0.43

MOUNTING

Small Size Mounting Option

G 1/2" Knuckle Mount

Die-cast aluminum knuckle provides flexibility in mounting from a variety of areas.



Trunnion Mount

Die-cast aluminum trunnion is easily adapted to many surfaces and allows easy fixture aiming angles.



Medium & Large Size Mounting Option

G 1/2" Knuckle Mount (For medium size only)

Die-cast aluminum knuckle provides flexibility in mounting from a variety of areas.



Slipfitter Mount

Die-cast aluminum slipfitter mounts on 2 3/8" to 3" O.D. tenon easily.



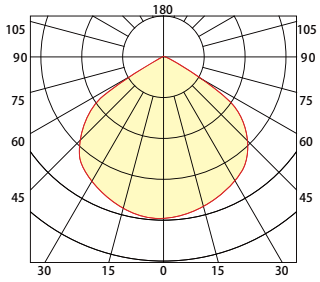
Trunnion Mount

Die-cast aluminum trunnion is easily adapted to many surfaces and allows easy fixture aiming angles.

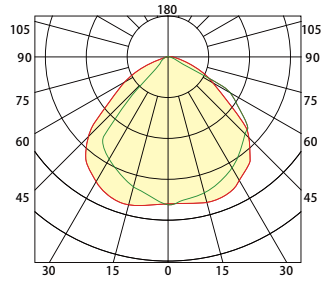


PHOTOMETRICS

Small size & Medium Size



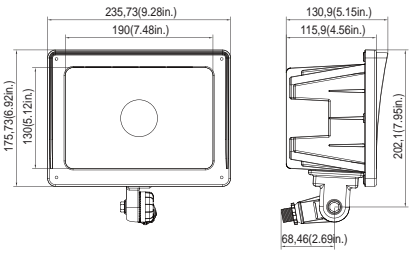
Large size



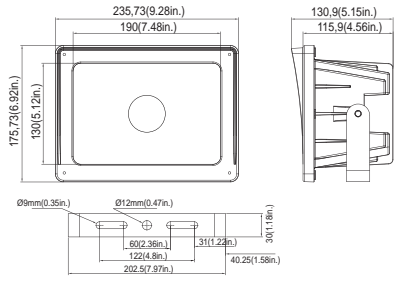
DIMENSIONS

unit: mm/inch

Knuckle Mount(35W&45W&65W)

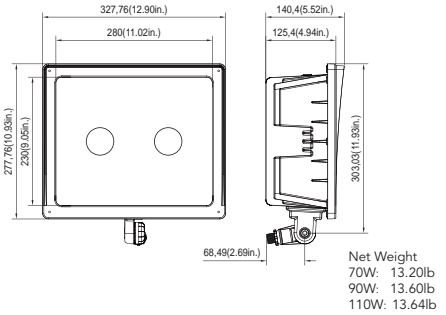


Trunnion Mount(35W&45W&65W)



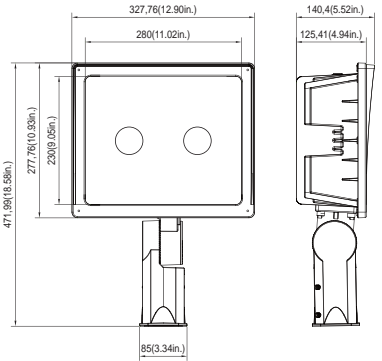
Net Weight
35W: 4.83lb
45W: 4.87lb
65W: 5.22lb

Knuckle Mount(70W&90W&110W)



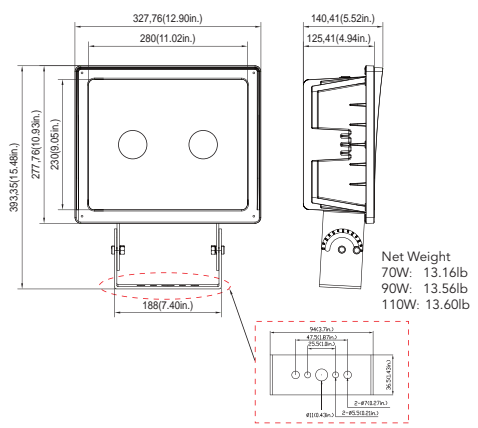
Net Weight
70W: 13.20lb
90W: 13.60lb
110W: 13.64lb

Slipfitter Mount(70W&90W&110W)



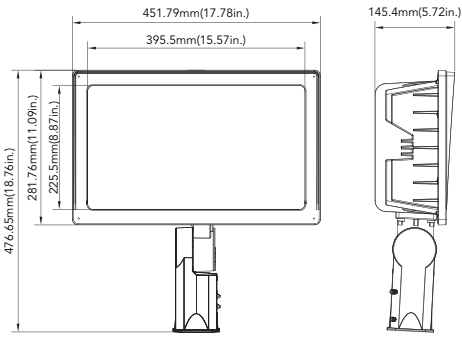
Net Weight
70W: 14.92lb
90W: 15.32lb
110W: 15.36lb

Trunnion Mount(70W&90W&110W)



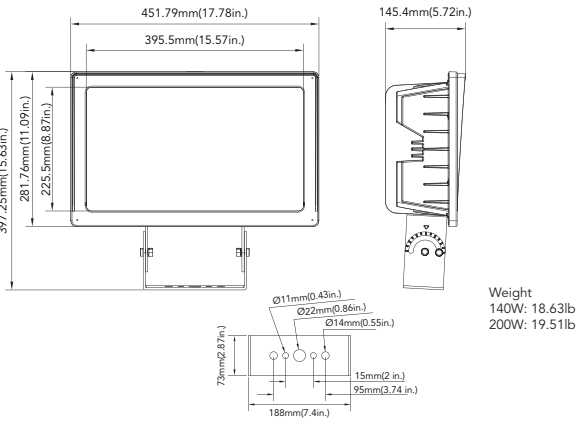
Net Weight
70W: 13.16lb
90W: 13.56lb
110W: 13.60lb

Slipfitter Mount(140W&200W)



Weight
140W: 18.34lb
200W: 19.22lb

Trunnion Mount(140W&200W)



Weight
140W: 18.63lb
200W: 19.51lb

ORDERING GUIDE

Example:FD 45W ZZV 50K Y Y Y Y

Fixture Type	Wattage	Voltage	CCT	CRI	Finish	Beam Angle	Photocell (Option)	Surge Protection (Option)
<input type="checkbox"/>	<input type="checkbox"/>	<input type="checkbox"/>	<input type="checkbox"/>	<input type="checkbox"/>	<input type="checkbox"/>	<input type="checkbox"/>	<input type="checkbox"/>	<input type="checkbox"/>
FD Dimetric Flood Light	35 35W 45 45W 65 65W 70 70W 90 90W 110 110W	12V 120-277V 27V 120-277V or 277V	40K 4000K 50K 5000K	B 70CRI	D Dark Bronze B Black	WFL 107 Degree	(Blank) No Photocell P1 120V Photocell P0 120-277V Photocell	S Surge protection (Blank) No Surge protection

Example:FD 200W 27V 50K Y Y Y Y Y Y

Fixture Type	Wattage	Voltage	CCT	CRI	Finish	Nema	Photocell (Option)	Surge Protection (Option)
<input type="checkbox"/>	<input type="checkbox"/>	<input type="checkbox"/>	<input type="checkbox"/>	<input type="checkbox"/>	<input type="checkbox"/>	<input type="checkbox"/>	<input type="checkbox"/>	<input type="checkbox"/>
FD Dimetric Flood Light	140 140W 200 200W 145 145W 205 205W	27V 120-277V 48V 347/480V	40K 4000K 50K 5000K	B 70CRI	D Dark Bronze	B76 7Hx6V	(Blank) No Photocell P1 120V Photocell P0 120-277V Photocell	S Surge protection (Blank) No Surge protection

- Note:
1. Input voltage may vary depends on photocell configuration.
 2. Grid guard is available for all size.
 3. The surge protection only suitable for medium size and large size.
 4. The Watt is 140W when the voltage is 120-277V,while when it is 347/480V,the watt is 145W.
 5. The Watt is 200W when the voltage is 120-277V,while when it is 347/480V,the watt is 205W.

DLC Model NO.

SYSTEM WATTS	VOLTAGE	CCT	Beam Angle	DLC NO.	DLC Classification
35W	120-277V	4000K	107°	FD35WZZV40KBYWFLY	Standard
		5000K	107°	FD35WZZV50KBYWFLY	Standard
45W	120-277V	4000K	107°	FD45WZZV40KBYWFLY	Standard
		5000K	107°	FD45WZZV50KBYWFLY	Standard
65W	120-277V	4000K	107°	FD65W[12V27V]40KBYWFLY	Standard
		5000K	107°	FD65W[12V27V]50KBYWFLY	Standard
70W	120-277V	4000K	107°	FD70WZZV40KBYWFLYY	Standard
		5000K	107°	FD70WZZV50KBYWFLYY	Standard
90W	120-277V	4000K	107°	FD90WZZV40KBYWFLYY	Standard
		5000K	107°	FD90WZZV50KBYWFLYY	Standard
110W	120-277V	4000K	107°	FD110W[12V27V]40KBYWFLYY	Standard
		5000K	107°	FD110W[12V27V]50KBYWFLYY	Standard
140W	120-277V	4000K	7Hx6V	FD140W27V40KBYB76YY	Premium
		5000K	7Hx6V	FD140W27V50KBYB76YY	Premium
200	120-277V	4000K	7Hx6V	FD200W27V40KBYB76YY	Premium
		5000K	7Hx6V	FD200W27V50KBYB76YY	Premium