



Applications:

Parking structures, storage areas, shopping area walkways, entryway, and low level security.

Features

- Sealed die-casting profile for indoor and outdoor applications.
- Voltage is 120-277V.
- Lumen output from 5300lm with efficacy to 118lm/W.
- Increase energy savings with bi-level PIR sensor.
- Replacing 100W MH.
- Operating temperature is -40°C to 40°C(-40°F to 104°F).
- UL/cUL wet location listed and DLC qualified.



PERFORMANCE DATA

Luminaire Type	Ordering Code	Rated Voltage(VAC)	Wattage (W)	CCT	Initial	Luminaire	CRI	Power Factor	0-10V Dimmable	Motion Sensor	Emergency Battery	Certificate
					Lumens(lm)	Efficacy(lpw)						
Canopy	MCP0445W27V40KD*	120-277	45	4000K	5000	111	70	0.9	NO	NO	NO	UL
Canopy	MCP0445W27V40KDD	120-277	45	4000K	5000	111	70	0.9	YES	NO	NO	UL
Canopy	MCP0445W27V40KDM	120-277	45	4000K	5000	111	70	0.9	NO	YES	NO	UL
Canopy	MCP0445W27V40KDB	120-277	45	4000K	5000	111	70	0.9	NO	NO	YES	UL
Canopy	MCP0445W27V40KDDB	120-277	45	4000K	5000	111	70	0.9	YES	NO	YES	UL
Canopy	MCP0445W27V40KDMB	120-277	45	4000K	5000	111	70	0.9	NO	YES	YES	UL
Canopy	MCP0445W27V40KDMD	120-277	45	4000K	5000	111	70	0.9	YES	YES	NO	UL
Canopy	MCP0445W27V40KDMDB	120-277	45	4000K	5000	111	70	0.9	YES	YES	YES	UL
Canopy	MCP0445W27V50KD*	120-277	45	5000K	5300	118	70	0.9	NO	NO	NO	UL
Canopy	MCP0445W27V50KDD	120-277	45	5000K	5300	118	70	0.9	YES	NO	NO	UL
Canopy	MCP0445W27V50KDM	120-277	45	5000K	5300	118	70	0.9	NO	YES	NO	UL
Canopy	MCP0445W27V50KDB	120-277	45	5000K	5300	118	70	0.9	NO	NO	YES	UL
Canopy	MCP0445W27V50KDDB	120-277	45	5000K	5300	118	70	0.9	YES	NO	YES	UL
Canopy	MCP0445W27V50KDMB	120-277	45	5000K	5300	118	70	0.9	NO	YES	YES	UL
Canopy	MCP0445W27V50KDMD	120-277	45	5000K	5300	118	70	0.9	YES	YES	NO	UL
Canopy	MCP0445W27V50KDMDB	120-277	45	5000K	5300	118	70	0.9	YES	YES	YES	UL

Note: D* Dark Bronze finish color is inventory color, please consult factory for lead time if other color is needed.

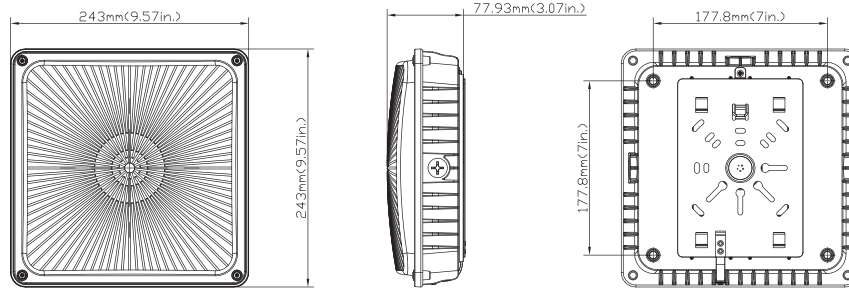
ELECTRICAL DATA

Number Of Drivers	Driver Current (Amps)	Nominal Power (W)	INPUT VOLTAGE (V)	CURRENT (Amps)
1	1.12	45	120	0.38
		45	208	0.22
		45	240	0.19
		45	277	0.16

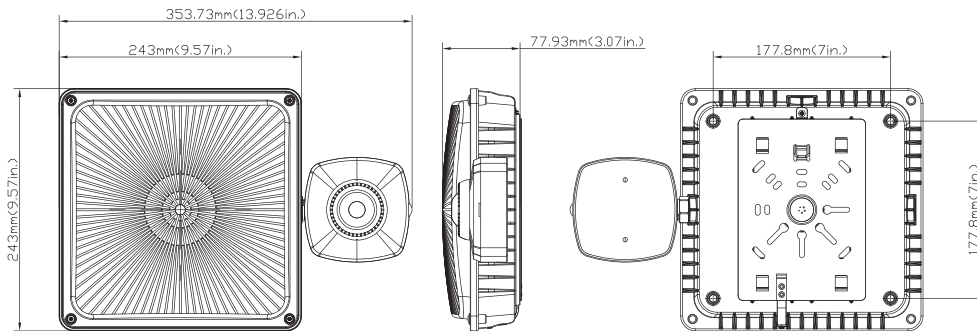
DIMENSION

unit: inch/mm

Weight: 4.74lb

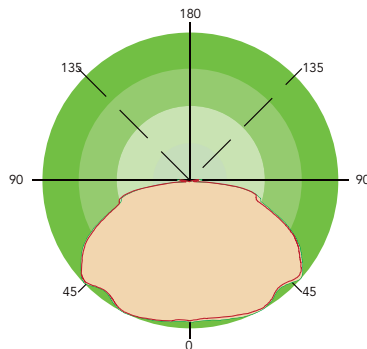


Weight: 5.18lb



DISTRIBUTION

Parking Garage



ORDERING GUIDE

Example: MCP0445W27V40KDMDDB

Fixture Type	Power Consumption	Input Voltage	CCT	Finish	Sensor (Option)	Dimmable(Option)	Emergency Batter(Option)
<input type="checkbox"/>	<input type="checkbox"/>	<input type="checkbox"/>	<input type="checkbox"/>	<input type="checkbox"/>	<input type="checkbox"/>	<input type="checkbox"/>	<input type="checkbox"/>
MCP04 MCP Series	45W 45Watts	27V 120-277V	40K 4000K 50K 5000K	D Dark Bronze B Black W White SG Silver Gray	Blank Without Sensor M With Sensor	D 0-10 Dimmable Blank NON Dimmable	B With Battery Blank Without Battery

DLC Model NO.

SYSTEM WATTS	VOLTAGE	CCT	Dimmable	DLC NO.	DLC Classification
45W	120-277V	4000K	NO	MCP0445W27V40K[D,B,W,SG][Blank,M][Blank,B]	Standard
		5000K	NO	MCP0445W27V50K[D,B,W,SG][Blank,M][Blank,B]	Standard
		4000K	YES	MCP0445W27V40K[D,B,W,SG][Blank,M]D[Blank,B]	Standard
		5000K	YES	MCP0445W27V50K[D,B,W,SG][Blank,M]D[Blank,B]	Standard