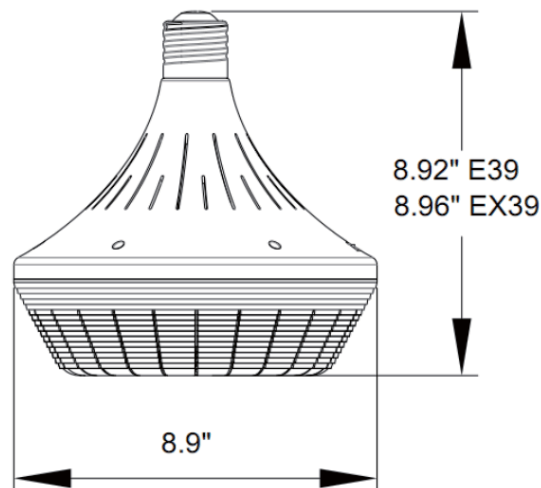




Hi-Bay Retrofits Series offer the most energy efficient solution to replace HID lamps up to 600W.

Features

- Samsung 2835 chips, >20000lm for 150W
- Replaces 250W-600W HID lamp
- E39 or EX39 base available
- Direct line voltage 100-277V-- bypass ballast
- Integral 4KV surge protection
- Double cooling-cold forging kit + sunon fan
- Unique structure design to minimize dust intrusion
- Directional optical design maximizes the best lighting performance
- Tripple temperature control against over-heating
- Plug & play safety cable included
- UL listed for damp locations
- Backed up by a 5-year warranty



Product Performance

PART #	POWER (W)	LUMEN (LM)	BASE	V	CCT	CRI	Operating Temp	BEAM ANGLE	Life Hrs	Replaces HID
BWHB-100-E(X)39	100	13000	E39/EX39 Mogul	100-277V	2700-5700K	>80	-40~+113°F -40~+45°C	120°	50,000hrs	250W
BWHB-120-E(X)39	120	16000	E39/EX39 Mogul	100-277V	2700-5700K	>80	-40~+113°F -40~+45°C	120°	50,000hrs	400W
BWHB-150-E(X)39	150	20000	E39/EX39 Mogul	100-277V	2700-5700K	>80	-40~+113°F -40~+45°C	120°	50,000hrs	600W

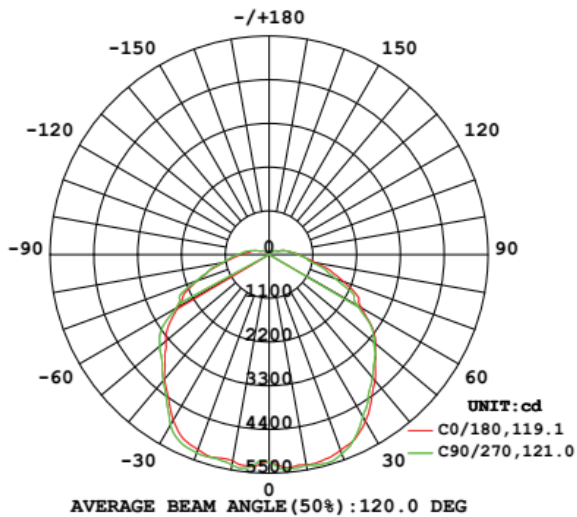
DLC Testing Data

PART #	CCT	W	LM/W	Total LM	V
BWHB-100-E(X)39	2700K	98.2	105.93	10402	120V
	3000K	98.41	107.95	10623	
	4000K	98.41	112.44	11065	
	5000K	98.41	116.93	11507	
	5700K	98.62	118.92	11728	
BWHB-120-E(X)39	2700K	117.2	107.61	12612	120V
	3000K	117.4	109.86	12897	
	4000K	117.4	114.7	13466	
	5000K	117.4	119.55	14035	
	5700K	117.6	121.76	14319	
BWHB-150-E(X)39	2700K	150.3	107.07	16093	120V
	3000K	149.9	109.81	16460	
	4000K	149.9	114.71	17195	
	5000K	149.9	119.61	17929	
	5700K	149.5	122.38	18296	

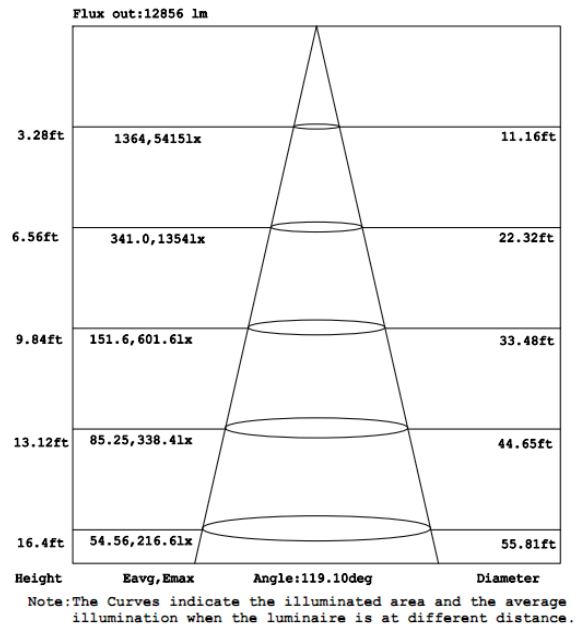


Hi-Bay Fixture for DLC Testing

Light Intensity Distribution Diagram



Isolux Diagram



Packing

Model	Case Qty	Case G.W.	Case N.W.	Inner Box Size	Outer Carton Size
100W-150W	4pcs	10.84kgs 23.9lbs	6.64kgs 14.64lbs	10.83*10.83*11.1" (275*275*282mm)	22.25*22.25*12" (565*565*305mm)

Notes

- Disconnect power from the luminaries and follow proper lockout/tag-out procedures before installation or maintenance. Contact a qualified electrician for installation.
- This device requires 100V-277V input voltage.
- This device requires all ballasts, capacitors, and starters to be by-passed/removed.
- Suitable for use in dry or damp locations. DO NOT use where directly exposed to liquid, vapor, rain.
- This device is not intended for use with emergency exits.
- This device is not intended for use with dimmers or remote controls.
- This device is suitable for fully enclosed luminaries with minimum lamp compartment dimensions of: 11.81"(L) x 11.81" (W) x 15.75"(H).