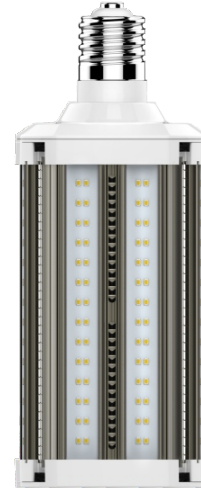




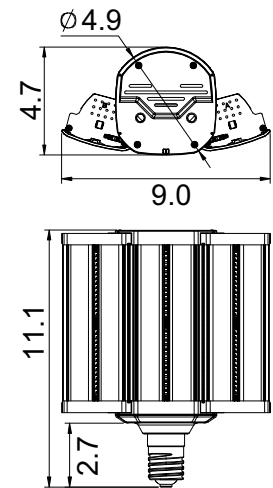
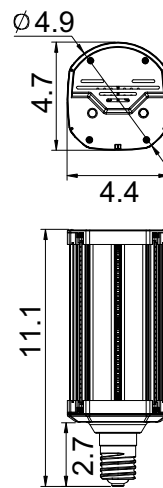
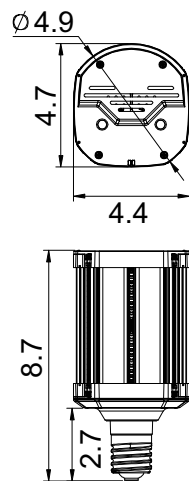
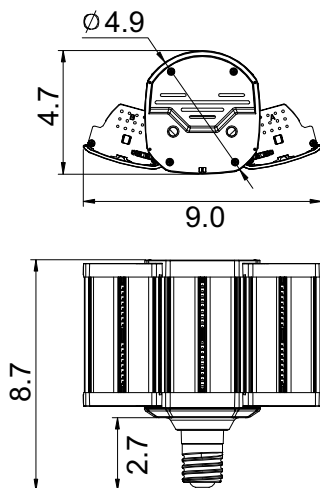
SUN35-80W/110W



**80W**

**110W**

Unit: in



### Specifications

Power	led Qty	PF	CRI	Voltage	CCT	Lumen	Size	Operation tep (°C/°F)	Weight	Certificate	Equal to
80W	120 leds LG3030	≥0.9	≥80	100-277VAC 50~60Hz	3000-6000K	9600±100lm	E39 Ø4.4x8.7in	minus 40~60°C minus 40~140°F	NW 2.7lbs GW 3.4lbs	UL DLC4.0 CUL Lm79 Tm21	250w HPS HQL
110W	168 leds LG3030	≥0.9	≥80	100-277VAC 50~60Hz	3000-6000K	13200±100lm	E39 Ø4.4x11.1in	minus 40~60°C minus 40~140°F	NW 3.6lbs GW 4.3lbs	UL DLC4.0 CUL Lm79 Tm21	400w HPS HQL

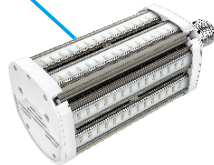
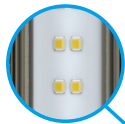
## Features



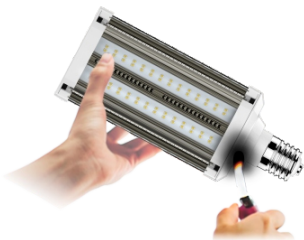
REPLACE



Ⓛ LG3030 120lm/w



Flame retardant material



180°beam angle

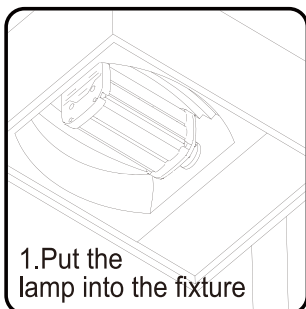


IP64 waterproof design

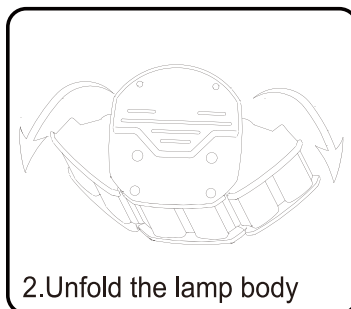


**⚠ WARNING: THE LAMP BODY MUST BE EXTENDED WITH 2 SIDES TO LIGHT UP !**

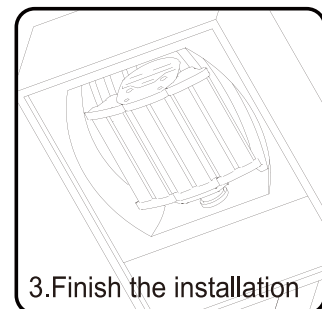
CAUTION: RISK OF ELECTRIC SHOCK-DO NOT USE WHERE DIRECTLY EXPOSED TO WATER. DO NOT USE WITH DIMMERS, FOR USE IN TOTALLY ENCLOSED RECESSED FIXTURES.



1. Put the lamp into the fixture



2. Unfold the lamp body



3. Finish the installation

#### Application



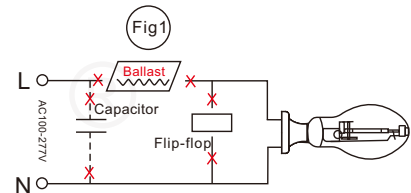
### PARKING LOT



### Installation

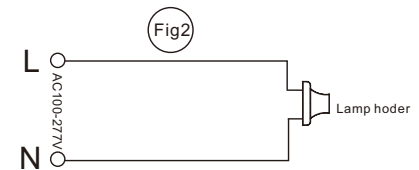
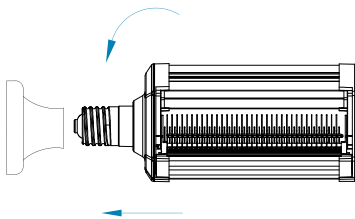
#### Step:1

Shown as Figure 1  
Remove old ballast or disconnect from existing lamp holder. Remove and dispose of ballast in correct manner.



#### Step:2

Shown as Figure 2  
Reconnect directly to the existing lamp holder.



#### Step:3

Shown as Figure 3  
Install new LED replacement lamp. Please make sure the old fitting is correctly earth.

